

4

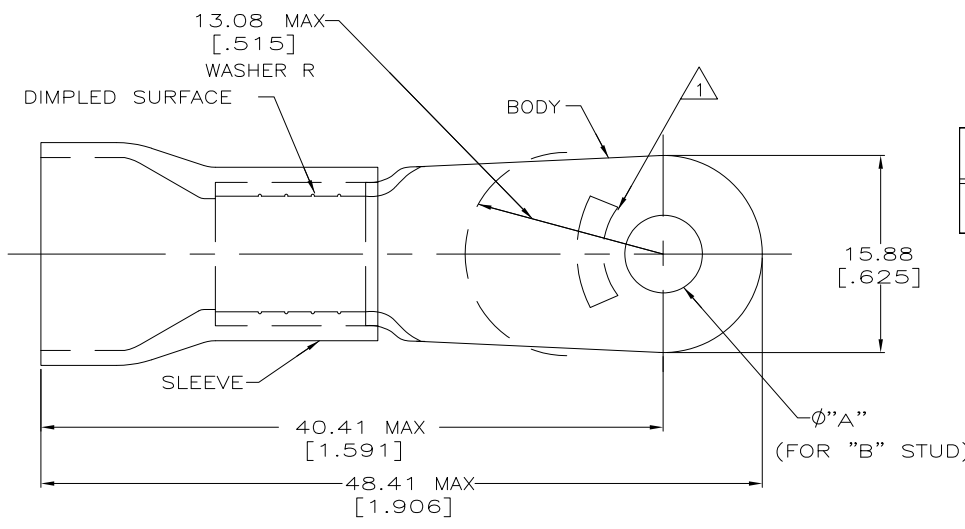
3

2

1

THIS DRAWING IS UNPUBLISHED. RELEASED FOR PUBLICATION  
 © COPYRIGHT - By - ALL RIGHTS RESERVED.

LOC	DIST	REVISIONS			
P	LTR	DESCRIPTION	DATE	DWN	APVD
	T3	REVISED PER ECO-11-004820	11MAR11	RK	HMR



<b>AMP</b> WIRE RANGE	FILE E13288	LR7189 Certified
8 AWG STRANDED	8 AWG STRANDED	8 AWG STRANDED

- 1 STAMP AMP 6\* LOCATE APPROX AS SHOWN
- 2 TONGUE MATERIAL THK 1.14±0.08[.045±.003]
- 3 SEE TABLE FOR WIRE INSULATION DIA MAX
- 4 FOREIGN PRODUCTION ONLY
- 5 TAPE ITEMS ARE ON 30.48[1.200] CENTERS
- 6 OBSOLETE PARTS
- 7 NOTE DELETED

WIRE INSULATION DIA	"B"	"A"	QTY	PACKAGE TYPE	PART NO
11.43 [.450]	3/8	9.91±0.13 [.390±.005]	20	LOOSE PC, BOX SPL	9-52264-5
	5/16	8.33±0.13 [.328±.005]			8-52264-5
9.14 [.360]	3/8	9.91±0.13 [.390±.005]	500	ON TAPE	52264-5
	5/16	8.33±0.13 [.328±.005]			52264-4
11.43 [.450]	3/8	9.91±0.13 [.390±.005]	-	LOOSE PC	52264-3
	5/16	8.33±0.13 [.328±.005]			52264-2
11.43 [.450]	3/8	9.91±0.13 [.390±.005]	100		52264-1
	5/16	8.33±0.13 [.328±.005]			52264

<b>AMP INCORPORATED CUSTOMER SERVICE SYSTEMS</b>		<b>MAX RECOMMENDED OPERATING TEMPERATURE:</b> 105° C
FOR ADDITIONAL PRODUCT INFORMATION OR COPIES OF DRAWINGS AND TECHNICAL DOCUMENTS	PRODUCT INFORMATION CENTER 1-800-522-6752	<b>VOLTAGE RATING:</b> 600 V MAX
FOR APPLICATION	TOOLING ASSISTANCE CENTER 1-800-722-1111	<b>CIRCULAR MIL AREA:</b> 10.54-16.77mm²[20,800-33,100] STANDARD
FOR ORDER ENTRY	1-800-526-5142	

THIS DRAWING IS A CONTROLLED DOCUMENT.

DIMENSIONS:	TOLERANCES UNLESS OTHERWISE SPECIFIED:
mm [INCHES]	
0 PLC	± -
1 PLC	± -
2 PLC	± 0.20[.008]
3 PLC	± -
4 PLC	± -
ANGLES	± -

**MATERIAL:** COPPER PER ASTM B-152  
PVC, COLOR: BLUE

**FINISH:** TIN PLATE PER ASTM-B545

DWN S.S. GOULDEN 9-29-93	TE Connectivity TERMINAL, RING TONGUE, PLASTI-GRIP™ WIRE SIZE, 6 AWG
CHK R. HERSEY 9-29-93	
APVD B.BARE 9-29-93	
NAME NOT AVAILABLE	
PRODUCT SPEC APPLICATION SPEC 114-2161	SIZE A3
WEIGHT -	CAGE CODE 00779
CUSTOMER DRAWING	DRAWING NO C-52264
	RESTRICTED TO -
	SCALE 4:1
	SHEET 1 OF 1
	REV T3