

4

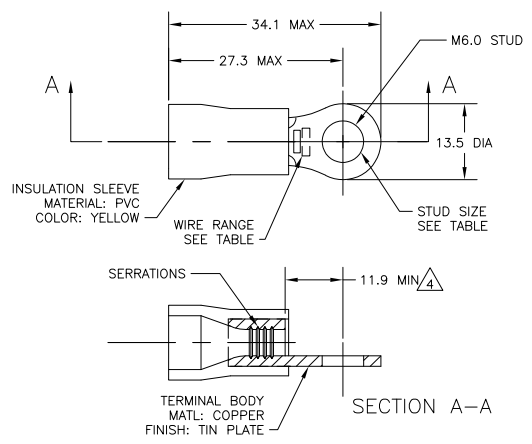
3

2

1

THIS DRAWING IS UNPUBLISHED. RELEASED FOR PUBLICATION. BY TYCO ELECTRONICS CORPORATION. ALL RIGHTS RESERVED.

LOC	DIST	REVISIONS			
		REV	DESCRIPTION	DATE	BY
G	02	R1	REV PER ECR-06-001930	13FEB06	HMR TM



- 1 WIRE SIZE IS 12-10 AWG
- 2 WIRE INSULATION DIA: 3.8-6.4
- 3 MATERIAL THICKNESS IS 1.0
- 4 DIMENSION APPLIES FROM EDGE OF METAL WIRE BARREL TO END OF PIN.
- 5 SUPERSEDED BY 342185-1

POLY BAG WITH HEADER	STANDARD	50	5	7-342185-1
PLASTIC BOX	STANDARD	50	5	6-342185-1
TAPED MOUNTED	STANDARD	2500		2-342185-1
PLASTIC BAG	STANDARD	500		342185-1
PACKAGING	LABELLING	QTY		PART NO

THIS DRAWING IS A CONTROLLED DOCUMENT.

<p>DIMENSIONS:</p> <p>INCHES</p> <p>0 PLC ± .005</p> <p>1 PLC ± .01</p> <p>2 PLC ± .015</p> <p>3 PLC ± .02</p> <p>4 PLC ± .03</p> <p>ANGLES ± 1'</p> <p>FINISH</p>	<p>TOLERANCE LIMITS OF DIMENSIONS SPECIFIED:</p> <p>0 PLC ± .005</p> <p>1 PLC ± .01</p> <p>2 PLC ± .015</p> <p>3 PLC ± .02</p> <p>4 PLC ± .03</p> <p>ANGLES ± 1'</p> <p>FINISH</p>	<p>DRN: JF CLUTH 02DEC05</p> <p>CHK: T MICHELLUCCI 02DEC05</p> <p>APPD: T MICHELLUCCI 02DEC05</p> <p>PRODUCT SPEC: -</p> <p>APPLICATION SPEC: -</p> <p>WEIGHT: -</p> <p>CUSTOMER DRAWING</p>	<p>TYCO Electronics Tyco Electronics Corporation Harrisburg, PA 17105-3608</p> <p>NAME: TERMINAL, RING TONGUE, PLASTI-GRIP.</p> <p>SIZE: A2</p> <p>CAGE CODE: 00779</p> <p>DRAWING NO: C=342185</p> <p>RESTRICTED TO: -</p> <p>SCALE: 5:1 SHEET: 1 of 1 REV: R1</p>
--	--	--	---

AMP 1471-9 REV 31MAR2000

342185

A