

4

3

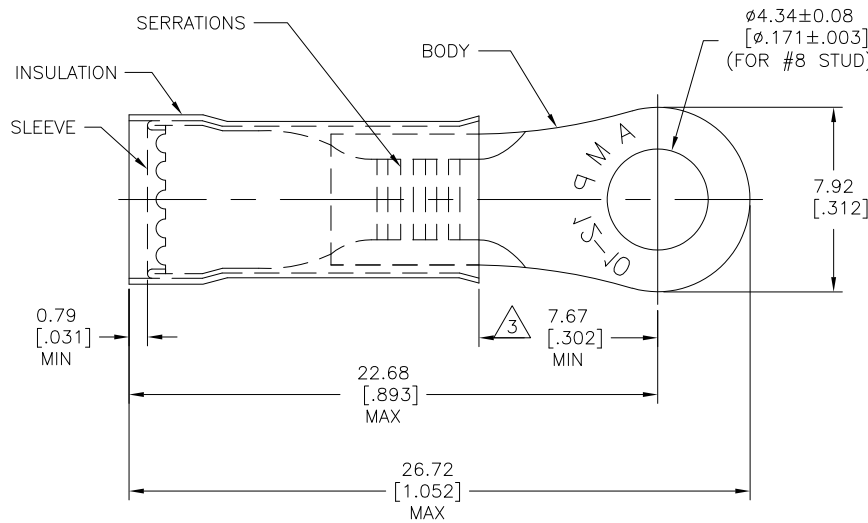
2

1

THIS DRAWING IS UNPUBLISHED. RELEASED FOR PUBLICATION
 © COPYRIGHT - BY TYCO ELECTRONICS CORPORATION. ALL INTERNATIONAL RIGHTS RESERVED.

LOC	DIST	REVISIONS			
P	LTR	DESCRIPTION	DATE	DWN	APVD
G	14				
	G1	REVISED PER ECR-09-017960	27AUG09	HMR	JR

- FOR 3.81 [.150] TO 5.84 [.230] WIRE INSULATION DIA
- TONGUE MATERIAL THK: 1.02±0.05 [.040±.002]
- APPLIES FROM THE METAL EDGE OF THE BARREL TO THE CENTER OF THE STUD



	100	LOOSE PC, BOX	BODY: COPPER (ASTM-B152) TIN PL (ASTM-B545)	8-324915-1
OBSOLETE	4000	324915 ON TAPE	SLEEVE: COPPER (ASTM-B152)	1-324915-1
	1	WIRE TERMINAL	INSULATION: NYLON COLOR: YELLOW	324915
QTY		DESCRIPTION	MATERIAL & FINISH	PART NO

DIMENSIONS:		TOLERANCES UNLESS OTHERWISE SPECIFIED:		DWN		Tyco Electronics		Tyco Electronics Corporation		
mm	[INCHES]	0 PLC	±	CHK	27AUG09	NAME	Harrisburg, PA 17105-3608			
		1 PLC	±	JEFF RUTH	27AUG09	APVD	WIRE TERMINAL PIDG - RING TONGUE			
		2 PLC	±	TOM MICHIELUTTI	27AUG09	PRODUCT SPEC	WIRE SIZE: 12-10			
		3 PLC	± 0.20 [.008]			APPLICATION SPEC	SIZE	CAGE CODE	DRAWING NO	RESTRICTED TO
		4 PLC	±			WEIGHT	A3	00779	C-324915	
		ANGLES	± 5°			CUSTOMER DRAWING	SCALE	6:1	SHEET	1 OF 1
MATERIAL	SEE TABLE	FINISH	SEE TABLE						REV	G1