

4

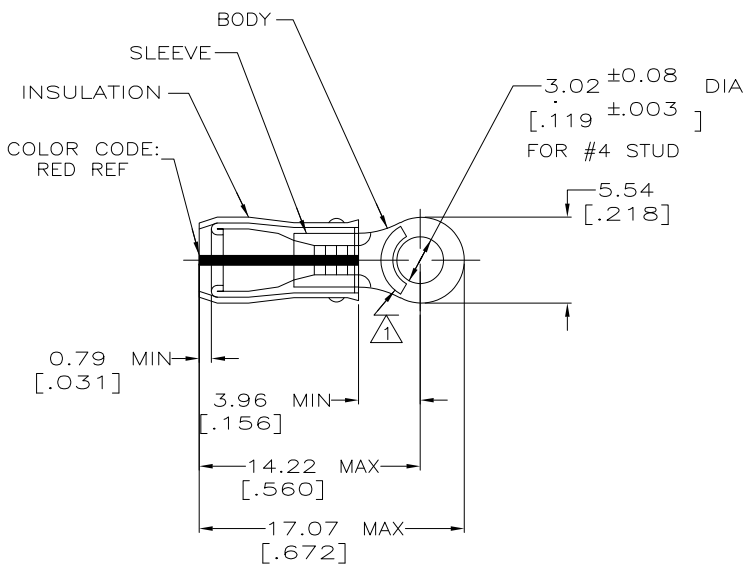
3

2

1

THIS DRAWING IS UNPUBLISHED. RELEASED FOR PUBLICATION  
 © COPYRIGHT - BY TYCO ELECTRONICS CORPORATION. ALL RIGHTS RESERVED.

LOC	DIST	REVISIONS			
P	LTR	DESCRIPTION	DATE	DWN	APVD
G	14	N1	REV PER ECR 09-026074	30NOV09	JR TM



- 1 STAMP AMP 22-18\* APPROX AS SHOWN  
22-16 TERMINALS ARE STAMPED 22-18 IN  
ACCORDANCE WITH MILITARY SPEC MIL-T-7928  
COMMERCIAL WIRE RANGE IS 22-16
- 2 WIRE INSULATION DIA: .080 - .125
- 3 TONGUE MATERIAL THK: 0.79 ±0.05 [.031±0.002]
- 4 TIN/LEAD (93-7) PLATE PER ASTM B545.  
( 3% MIN LEAD CONTENT)
- 5 GOLD PL PER ASTM B488, TYPE 2, GRADE C,  
OVER NICKEL PER (QQ-N-290).
- 6 SUPERSEDED BY 53405-1
- 7 MATERIAL: BODY & SLEEVE- CU PER ASTM B152  
INSULATION - PVF2, COLOR - NATURAL

-	△	100	LOOSE PIECE, BOX	8-53405-1
-	-	-	LOOSE PIECE	53405-5 △
-	△	-	LOOSE PIECE	53405-3
M7928/4-148, CLASS 1 & 2	△	-	LOOSE PIECE	53405-1
M7928/13-148, CLASS 2	△	-	LOOSE PIECE	53405-1
MILITARY P/N & CLASS	FINISH	QTY	PACKAGE TYPE	PART NO.

AMP INCORPORATED CUSTOMER SERVICE SYSTEMS		MAX RECOMMENDED OPERATING TEMPERATURE: 150°C MAX
FOR ADDITIONAL PRODUCT INFORMATION OR COPIES OF DRAWINGS AND TECHNICAL DOCUMENTS	PRODUCT INFORMATION CENTER 1-800-522-6752	VOLTAGE RATING: N/A
FOR APPLICATION	TOOLING ASSISTANCE CENTER	CIRCULAR MIL AREA: 0.26-1.65mm <sup>2</sup> [509-3260] STRANDED
TOOLING INFORMATION	1-800-722-1111	
FOR ORDER ENTRY	1-800-526-5142	THIS DRAWING IS A CONTROLLED DOCUMENT FOR AMP INCORPORATED. IT IS SUBJECT TO CHANGE AND THE CONTROLLING ENGINEERING ORGANIZATION SHOULD BE CONTACTED FOR THE LATEST REVISION.

THIS DRAWING IS A CONTROLLED DOCUMENT.		DWN DK SCHRUM 06/16/93
DIMENSIONS: MM [INCHES]		CHK RE HERSEY 7/6/93
TOLERANCES UNLESS OTHERWISE SPECIFIED:		APVD M BARNABA 7/6/93
0 PLC ± -		NAME 108-11023
1 PLC ± -		PRODUCT SPEC
2 PLC ±0.20[.008]		APPLICATION SPEC
3 PLC ± -		NOT AVAILABLE
4 PLC ± -		WEIGHT
ANGLES ± -		SIZE A3
MATERIAL		CAGE CODE 00779
FINISH		DRAWING NO C-53405
BODY: SEE TABLE		RESTRICTED TO
SLEEVE: SEE NOTE 7		SCALE 4:1
		SHEET 1 OF 1
		REV N1

Tyco Electronics Corporation Harrisburg, Pa 17105-3608	
TERMINAL, RING TONGUE, PVF2, P.I.D.G. WIRE SIZE: 22-16 AWG	
SIZE A3	CAGE CODE 00779
DRAWING NO C-53405	RESTRICTED TO
CUSTOMER DRAWING	SCALE 4:1
SHEET 1 OF 1	REV N1

AMP 1470-19 REV 31MAR2000