

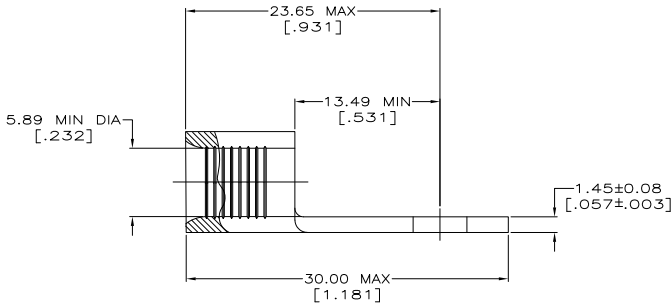
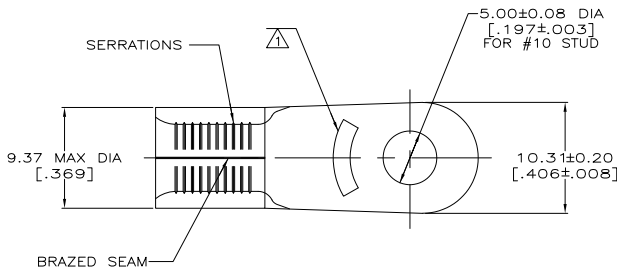
THE DRAWING IS UNPUBLISHED. RELEASED FOR PUBLICATION. ALL RIGHTS RESERVED.

LOC	QTY	REV	DESCRIPTION	DATE	BY	APP
G	14	P	LR			
		B1	REVISED PER ECO-11-004820	11MAR11	RK	HMR

**METRIC**  
DIMENSIONS LISTED IN mm [ INCHES ]

<b>AMP</b> WIRE RANGE	Listed
6 AWG SOLID OR STRANDED	6 AWG STRANDED
<b>LR7189</b> Certified	MILITARY P/N AND CLASS
6 AWG SOLID OR STRANDED	NOT APPLICABLE

△ STAMP AMP 6\* APPROX AS SHOWN



<b>AMP INCORPORATED CUSTOMER SERVICE SYSTEMS</b>		MAX RECOMMENDED OPERATING TEMPERATURE: 170° C MAX
FOR ADDITIONAL PRODUCT INFORMATION OR COPIES OF DRAWINGS AND TECHNICAL DOCUMENTS	PRODUCT INFORMATION CENTER 1-800-522-6752	VOLTAGE RATING: NOT APPLICABLE
FOR APPLICATION TOOLING INFORMATION	TOOLING ASSISTANCE CENTER 1-800-722-1111	WIRE CROSS SECTIONAL AREA RANGE: 10.5-16.8MM <sup>2</sup> [20,800-33,100] CIR MILS SOLID OR STRANDED
FOR ORDER ENTRY	1-800-526-5142	THIS DRAWING IS A CONTROLLED DOCUMENT FOR AMP INCORPORATED. IT IS SUBJECT TO CHANGE AND THE CONTROLLING ENGINEERING ORGANIZATION SHOULD BE CONTACTED FOR THE LATEST REVISION.

50	LOOSE PIECE, BOX	8-52197-2
1000	ON TAPE	52197-1
---	LOOSE PIECE	52197
QUANTITY	PACKAGE TYPE	PART NO

THIS DRAWING IS A CONTROLLED DOCUMENT.		BY TA BRINKMAN 3-24-93	<b>TE</b> TE Connectivity
DRAWING NO: 00779		CHK DA PATTERSON 3-24-93	
DIMENSIONS: MM(INCHES)		APR DE MILLER 3-24-93	NAME
MATERIAL: COPPER PER ASTM B-152 ANNEALED		PRODUCT SPEC	TERMINAL, RING TONGUE, SOLISTRAND™
FINISH: TIN PLATE		APPLICATION SPEC	SIZE
TIN PLATE 0.00254(0.101) MIN THK PER MIL-C-10727		WEIGHT	CAGE CODE
		WEIGHT	DRAWING NO
		WEIGHT	A200779
		WEIGHT	©=52197
		WEIGHT	RESTRICTED TO
		WEIGHT	SCALE 4:1
		WEIGHT	SHEET 1 of 1
		WEIGHT	REV B1

1471-9 (3/11)

52197

A