

4

3

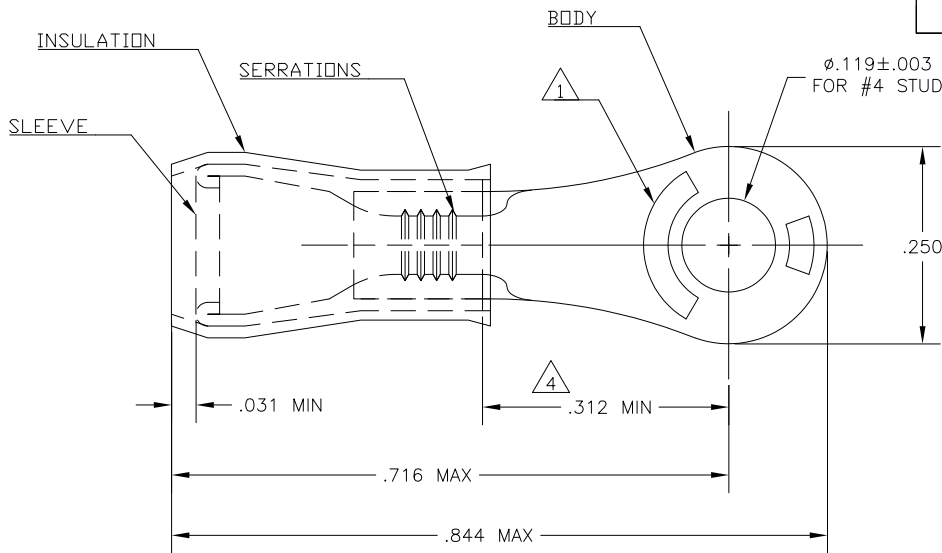
2

1

THIS DRAWING IS UNPUBLISHED. RELEASED FOR PUBLICATION
 © COPYRIGHT - BY TYCO ELECTRONICS CORPORATION. ALL RIGHTS RESERVED.

LOC	DIST	REVISIONS			
P	LTR	DESCRIPTION	DATE	DWN	APVD
G	14	F1	REDRAWN PER ECR 09-016745	28JUL09	JR TM

AMP WIRE RANGE	Listed FILE E13288	LR7189 Certified
22-16 AWG SOLID OR STRANDED	22-16 AWG SOLID OR STRANDED	22-16 AWG SOLID OR STRANDED



- 1 STAMP "AMP 22-18* 1-2"
MARKING 22-18 FOR MILITARY
COMMERCIAL RANGE 22-16
- 2 FOR .105-.140 WIRE INSULATION DIA
- 3 TONGUE MATL THK IS .031±.002
- 4 APPLIES FROM THE METAL EDGE OF
THE BARREL TO THE CENTER OF
THE STUD.

1	330648 ON TAPE	BODY & SLEEVE: COPPER PER ASTM B-152 TIN PL PER ASTM B-545	2-330648-1
1	LOOSE PIECE	INSULATION: NYLON - RED (MIL-M-20693) TYPE I	330648
QTY	PACKAGE TYPE	MATERIAL & FINISH	PART NO
DWN jr_ruth 24JUL09		Tyco Electronics Corporation Harrisburg, PA 17105-3608	
CHK TOM MICHIELUTTI 24JUL09		NAME	
APVD TOM MICHIELUTTI 24JUL09		RING TONGUE, PIDG, WIRE SIZE: 22-16	
PRODUCT SPEC		SIZE	
APPLICATION SPEC		CAGE CODE	
WEIGHT		DRAWING NO	
CUSTOMER DRAWING		RESTRICTED TO	
A3		00779	
C-330648		SCALE	
8:1		SHEET	
1 OF 1		REV	
F1			

AMP INCORPORATED CUSTOMER SERVICE SYSTEMS		MAX RECOMMENDED OPERATING TEMPERATURE: 105°C [221°F]	THIS DRAWING IS A CONTROLLED DOCUMENT.
FOR ADDITIONAL PRODUCT INFORMATION OR COPIES OF DRAWINGS AND TECHNICAL DOCUMENTS	PRODUCT INFORMATION CENTER 1-800-522-6752	VOLTAGE RATING: 300V MAX	DIMENSIONS: MM [INCHES]
FOR APPLICATION	TOOLING ASSISTANCE CENTER 1-800-722-1111	CIRCULAR MIL AREA: 0.26-1.65mm² [509-3260] SOLID OR STRANDED	0 PLC ± - 1 PLC ± - 2 PLC ± - 3 PLC ± - 4 PLC ± - ANGLES ± 5°
TOOLING INFORMATION			MATERIAL FINISH
FOR ORDER ENTRY	1-800-526-5142	THIS DRAWING IS A CONTROLLED DOCUMENT FOR AMP INCORPORATED. IT IS SUBJECT TO CHANGE AND THE CONTROLLING ENGINEERING ORGANIZATION SHOULD BE CONTACTED FOR THE LATEST REVISION.	

AMP 1470-19 REV 31MAR2000