

4

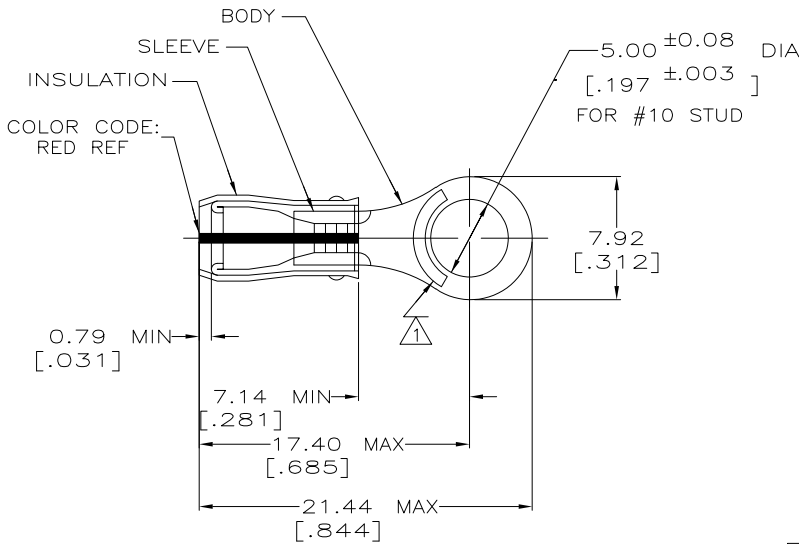
3

2

1

THIS DRAWING IS UNPUBLISHED. RELEASED FOR PUBLICATION
 © COPYRIGHT - BY TYCO ELECTRONICS CORPORATION. ALL RIGHTS RESERVED.

LOC	DIST	REVISIONS			
P	LTR	DESCRIPTION	DATE	DWN	APVD
G	14	K1	REV PER ECR 09-026074	30NOV09	JR TM



- △ 1 STAMP AMP 22-18* APPROX AS SHOWN
 22-16 TERMINALS ARE STAMPED 22-18 IN
 ACCORDANCE WITH MILITARY SPEC MIL-T-7928
 COMMERCIAL WIRE RANGE IS 22-16
- 2 WIRE INSULATION DIA: .080 - .125
- 3 TONGUE MATERIAL THK: 0.79 ± 0.05 [0.031 ± 0.002]
- △ 4 TIN/LEAD (93-7) PLATE PER ASTM B545.
 (3% MIN LEAD CONTENT)
- △ 5 GOLD PL PER ASTM B488, TYPE 2, GRADE C,
 OVER NICKEL PER (QQ-N-290).
- △ 6 SUPERSEDED BY 53409-1
- △ 7 MATERIAL: BODY & SLEEVE- CU PER ASTM B152
 INSULATION - PVF2, COLOR - NATURAL

-	△	100	LOOSE PIECE, BOX	8-53409-1
-	-	-	LOOSE PIECE	53409-5 △
-	△	-	LOOSE PIECE	53409-3
M7928/4-103, CLASS 1 & 2 M7928/13-103, CLASS 2	△	-	LOOSE PIECE	53409-1
MILITARY P/N & CLASS	FINISH	QTY	PACKAGE TYPE	PART NO.

AMP INCORPORATED CUSTOMER SERVICE SYSTEMS		MAX RECOMMENDED OPERATING TEMPERATURE: 150°C MAX	THIS DRAWING IS A CONTROLLED DOCUMENT.		DWN DK SCHRUM 06/16/93	Tyco Electronics Corporation Harrisburg, Pa 17105-3608		
FOR ADDITIONAL PRODUCT INFORMATION OR COPIES OF DRAWINGS AND TECHNICAL DOCUMENTS	PRODUCT INFORMATION CENTER 1-800-522-6752	VOLTAGE RATING: N/A	DIMENSIONS: MM [INCHES]	TOLERANCES UNLESS OTHERWISE SPECIFIED:	CHK RE HERSEY 7/6/93	NAME M ELLIS	TERMINAL, RING TONGUE, PVF2, PIDG WIRE SIZE: 22-16 AWG	
FOR APPLICATION	TOOLING ASSISTANCE CENTER	CIRCULAR MIL AREA: 0.26-1.65mm ² [509-3260] STRANDED		0 PLC ± - 1 PLC ± - 2 PLC ± 0.20[008] 3 PLC ± - 4 PLC ± - ANGLES ± -	APVD M ELLIS 7/6/93	PRODUCT SPEC 108-11023	RESTRICTED TO	
TOOLING INFORMATION	1-800-722-1111		MATERIAL	FINISH	APPLICATION SPEC NOT AVAILABLE	SIZE A3	CAGE CODE 00779	DRAWING NO 53409
FOR ORDER ENTRY	1-800-526-5142	THIS DRAWING IS A CONTROLLED DOCUMENT FOR AMP INCORPORATED. IT IS SUBJECT TO CHANGE AND THE CONTROLLING ENGINEERING ORGANIZATION SHOULD BE CONTACTED FOR THE LATEST REVISION.		BODY: SEE TABLE SLEEVE: SEE NOTE 4	WEIGHT -	SCALE 4:1	SHEET 1 of 1	REV K1
AMP 1470-19 REV 31MAR2000					CUSTOMER DRAWING			