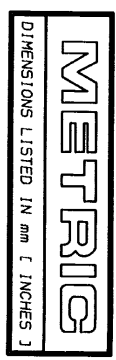
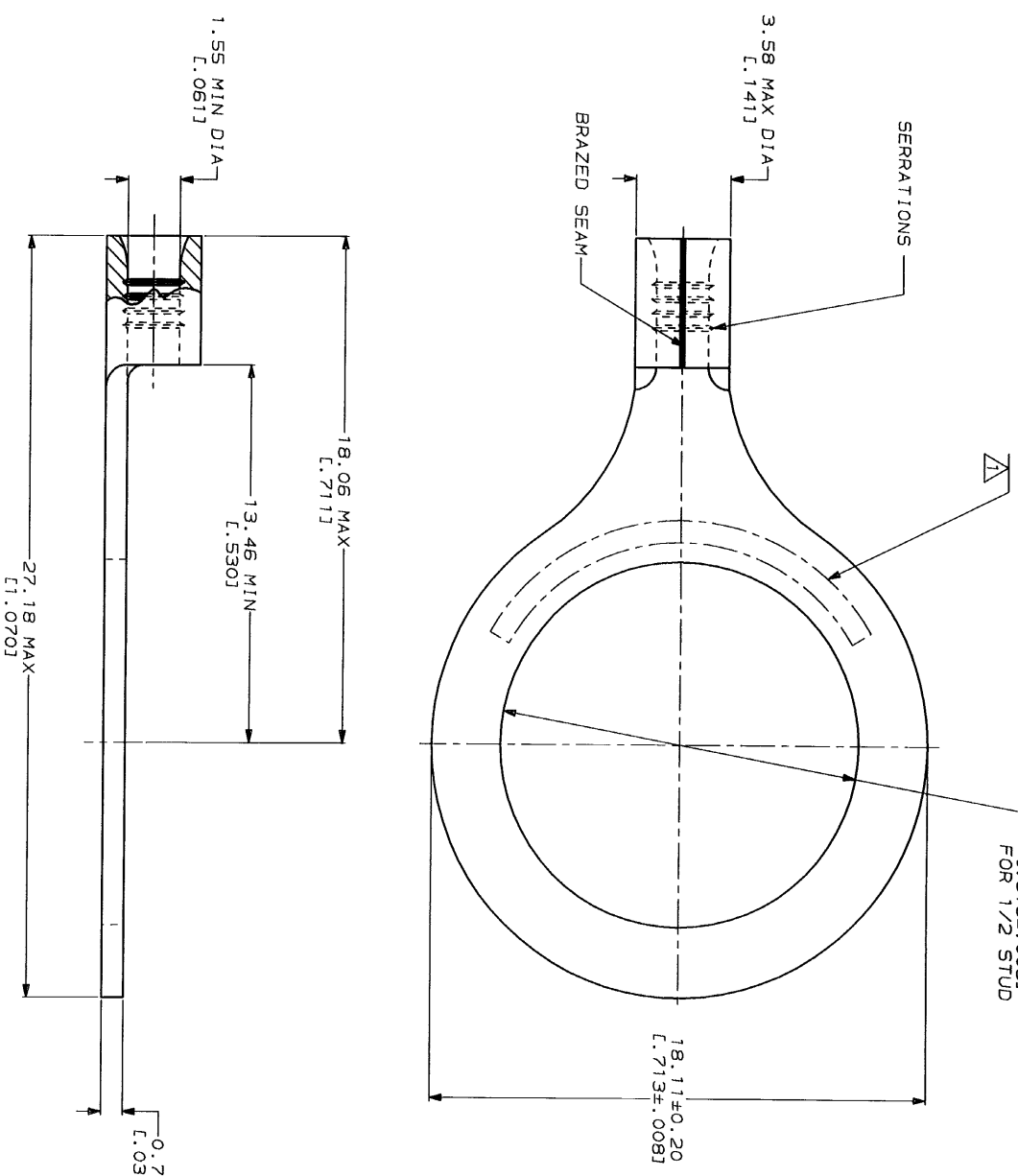


LOC	DIST	REV	DATE	APPRO
G	14			



AMP WIRE RANGE	UL E13288
22-16 AWG SOLID OR STRANDED	22-16 AWG SOLID OR STRANDED
LR7189 Certified	MILITARY P/N AND CLASS
22-16 AWG SOLID OR STRANDED	NOT APPLICABLE

△ STAMP AMP 22-18* APPROX AS SHOWN
 22-16 TERMINALS ARE STAMPED 22-18 IN
 ACCORDANCE WITH MILITARY SPECIFICATION
 MIL-T-7928, COMMERCIAL WIRE RANGE IS 22-16



DO NOT SCALE PRINT.
 UNLESS SPECIFIED OTHERWISE—
 DIMENSIONS IN INCHES—
 2 PLG DEC ± .001
 3 PLG DEC ± .001
 ANGLES

FINISH TIN PLATE
 0.0025±L.000100± MIN
 THK PER MIL-T-10727

OR 3-10-93
 CHK 3-10-93
 DA PATTERSON

APPD 3-10-93
 DE MILLER

APPD 3-10-93
 JL HECKLEY

DR 3-10-93
 CHK 3-10-93
 DA PATTERSON

APPD 3-10-93
 DE MILLER

APPD 3-10-93
 JL HECKLEY

APPD 3-10-93
 JL HECKLEY

QUANTITY	NAME	PACKAGE TYPE	PART NO
100	LOOSE PIECE, BOX		8-329966-1
	LOOSE PIECE		329966

AMP
 AMP Incorporated
 Harrisburg, PA 17105-3608

TERMINAL, RING
 TONGUE, SOLISTRAND™

SIZE	CAGE CODE	DRAWING NO
00779	00779	0-329966

AMP INCORPORATED
CUSTOMER SERVICE SYSTEMS

FOR ADDITIONAL
 PRODUCT INFORMATION OR
 COPIES OF DRAWINGS
 AND TECHNICAL DOCUMENTS

FOR APPLICATION
 TOOLING INFORMATION
 FOR ORDER ENTRY

PRODUCT INFORMATION CENTER
 1-800-522-6752

TOOLING ASSISTANCE CENTER
 1-800-722-1111

MAX RECOMMENDED OPERATING
 TEMPERATURE:
 170°C MAX

VOLTAGE RATINGS:
 NOT APPLICABLE

WIRE CROSS SECTIONAL AREA RANGE:
 0.26-1.65mm² (S09-3, 280) CIR MILS
 SOLID OR STRANDED

AMP TOOLING IS A REGISTERED TRADEMARK FOR
 AMP INCORPORATED. ALL RIGHTS RESERVED.
 AMP IS THE CONTROLLING ORGANIZATION
 AND THE CONTROLLING ORGANIZATION
 FOR THE PATENT RIGHTS.

AMP 1471-6 REV 3-92

10 SEP 1993 08:19:58 AMP26463 <US1284>DEP1123-DIG123UL SOLISTRAND™, IN LINE

CUSTOMER DRAWING