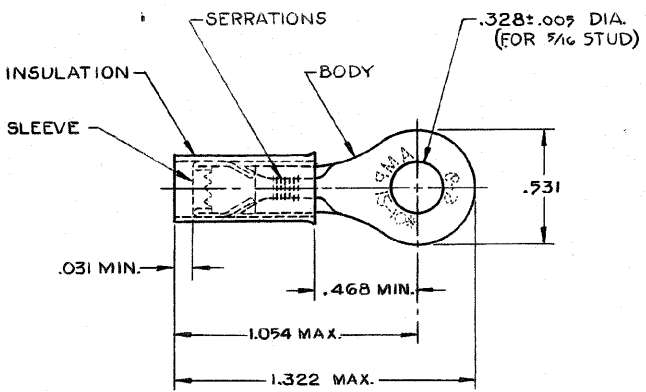


DRAWING MADE IN THIRD ANGLE PROJECTION
 THIS DRAWING IS UNPUBLISHED. RELEASED FOR PUBLICATION
 © COPYRIGHT 19 BY AMP INCORPORATED, HARRISBURG, PA. ALL INTERNATIONAL RIGHTS RESERVED. AMP PRODUCTS MAY BE COVERED BY U.S. AND FOREIGN PATENTS AND/OR PATENTS PENDING.

REVISIONS						
P	F	ZONE	LTR	DESCRIPTION	DATE	APPROVED
✓	✓		D	REDRAWN-REVISED PER G-1477, G-1177 & P87-0069.	1-27-86	PTM
✓	✓		E	REV PER G-4732	7/24/88	msf
✓	✓		F	ADDED NOTE 4 PER G-4774	7/19/88	msf/gy
✓	✓		G	OBS. 2-2 PER G-3705	12/1/88	AG
			H	REV. 0120-0036-93	10-3-93	ms
			J	REV. 0120-0100-97	5-2-97	TM
			K	REV PER 063A-6274-01	2/24/01	DR/TM



- 1 WIRE INSULATION DIA. = .150 - .250
- 2 TONGUE MATERIAL THK. = .040 ± .002
- 3 TIN PLATE (MIL-T-10727) .000100 MIN THK.
- 4 ALTERNATE PVC INSULATION MATERIAL FOR FOREIGN SUBSIDIARIES ONLY.
- 5 THIS IS NOT A U.S. MILITARY QUALIFIED PART
- 6 SUPERSEDED BY 8-35111-1

△	2500	ON TAPE, REEL	3-35111-2
△	500	LOOSE PC.	3-35111-1
△	50	LOOSE PC, BOX SPL	8-35111-5
△	25	LOOSE PC, BLS	8-35111-4
△	100	LOOSE PC, BOX	8-35111-1
△	500	ON TAPE, LG. BOX	2-35111-2
MS25036-113 CLASS	2500	ON TAPE, REEL	2-35111-1
MS25036-113 CLASS	500	LOOSE PIECE	35111
MILITARY PART NO. & CLASS	QTY.	DESCRIPTION	PART NO.
UNLESS OTHERWISE SPECIFIED DIMENSIONS ARE IN INCHES. TOLERANCES ON: DECIMALS ± .008 ANGLES ±		CONTRACT NO. UTA / RFB 9-25-89	
MATERIAL: INSULATION: NYLON-YELLOW △ APPD: [Signature] 11/27/86 BODY & SLEEVE: COPPER (GG-C-776)		AMP INCORPORATED Harrisburg, Pa.	
FINISH BODY: △		NAME: TERMINAL P.I.D.G. RING TONGUE WIRE SIZE: 12-10	
OTHER APPD		SIZE: B	FSCM NO: 00779
		DRAWING NO: 35111	
		SCALE: NTS	SHEET: 1 OF 1

CUSTOMER DRAWING