

4

3

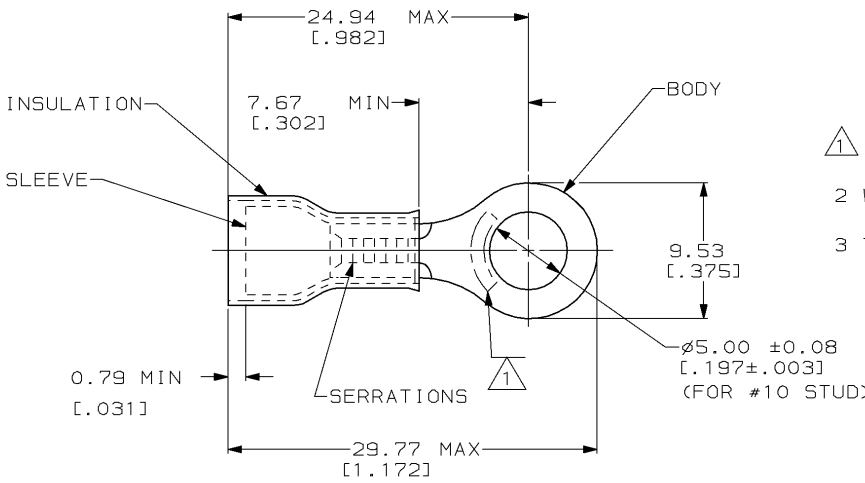
2

1

THIS DRAWING IS UNPUBLISHED. RELEASED FOR PUBLICATION
 © COPYRIGHT 19 BY AMP INCORPORATED. ALL RIGHTS RESERVED.

LOC	DIST	REVISIONS			
P	LTR	DESCRIPTION	DATE	DWN	APVD
G	14	REV / 0L20-0197-97	21AUG97	MLE	SB

AMP WIRE RANGE	E13288	LR7189 Certified
12-10 AWG SOLID OR STRANDED	12-10 AWG SOLID OR STRANDED	12-10 AWG SOLID OR STRANDED



- 1 STAMP AMP 12-10* APPROX AS SHOWN
- 2 WIRE INSUL DIA, 4.32-7.62 [0.170-.300]
- 3 TONGUE MATERIAL THK, 0.99±0.05 [0.039±.002]

---	-----	-----
50	LOOSE PIECE, BOX	8-35364-2
1500	ON TAPE, REEL	2-35364-1
500	LOOSE PIECE	35364
QTY	PACKAGE TYPE	PART NO

AMP INCORPORATED CUSTOMER SERVICE SYSTEM		MAX RECOMMENDED OPERATING TEMPERATURE: 105° C (221° F)	THIS DRAWING IS A CONTROLLED DOCUMENT FOR AMP INCORPORATED. IT IS SUBJECT TO CHANGE AND THE CONTROLLING ENGINEERING ORGANIZATION SHOULD BE CONTACTED FOR THE LATEST REVISION.		DWN M ELLIS 17APR95	AMP Incorporated Harrisburg, PA 17105-3608
FOR ADDITIONAL PRODUCT INFORMATION OR COPIES OF DRAWINGS AND TECHNICAL DOCUMENTS	PRODUCT INFORMATION CENTER 1-800-522-6752	VOLTAGE RATING: 300V MAX	DIMENSIONS: mm [in]	TOLERANCES UNLESS OTHERWISE SPECIFIED: 0 PLC ±- 1 PLC ±- 2 PLC ±0.20 [0.008] 3 PLC ±- 4 PLC ±- ANGLES ±-	CHK C BRESNELL 17APR95	
FOR APPLICATION TOOLING INFORMATION	TOOLING ASSISTANCE CENTER 1-800-722-1111	CIRCULAR MIL AREA: 2.63mm ² -6.64mm ² [5180-13100]	MATERIAL BODY, SLV, COPPER PER ASTM B 152 INSUL., PVC, COLOR, YELLOW	FINISH BODY & SLV, TIN PLATE PER ASTM B 545	APVD N BIRCH 17APR95	PRODUCT SPEC UL 486A
FOR ORDER ENTRY	1-800-526-5142				APPLICATION SPEC	NAME TERMINAL, RING TONGUE, PIDG™, WIRE SIZE, 12-10 AWG
AMP 1470-13 REV 09HAY94					WEIGHT	SIZE A3
					CUSTOMER DRAWING	CAGE CODE 00779
					SCALE 4:1	DRAWING NO C-35364
					SHEET 1 OF 1	REV G