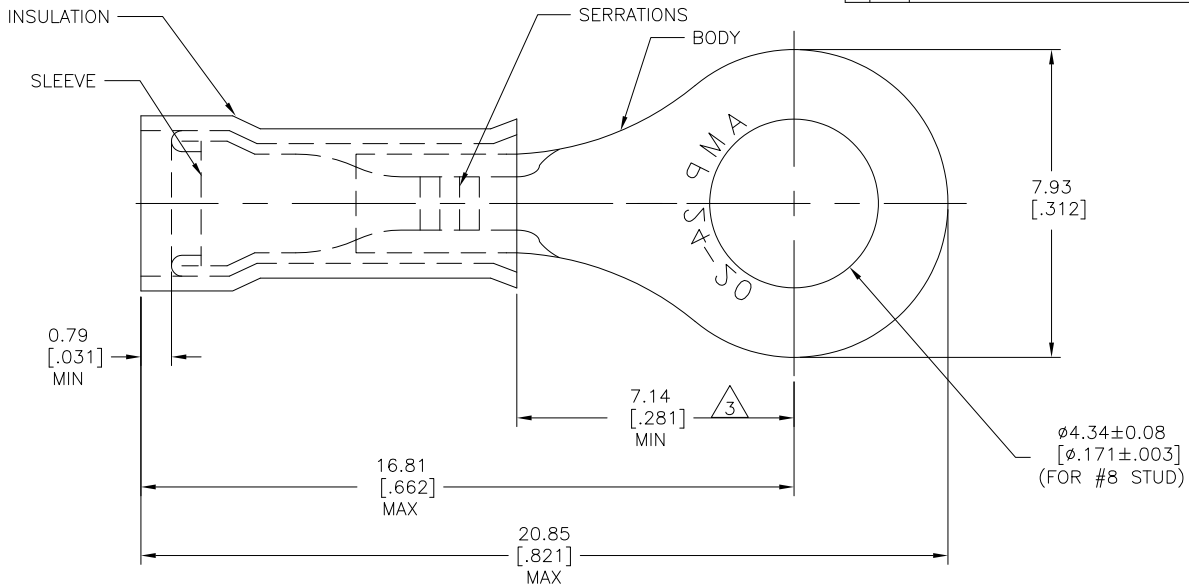


4 3 2 1

THIS DRAWING IS UNPUBLISHED.		RELEASED FOR PUBLICATION		LOC	DIST	REVISIONS					
COPYRIGHT - By -		ALL RIGHTS RESERVED.		G	14	P	LTR	DESCRIPTION	DATE	DWN	APVD
						D2		REVISED PER ECO-11-004917	11MAR11	RK	HMR



- 1 FOR 1.02[.040] TO 2.54[.100] WIRE INSULATION DIA
- 2 TONGUE MATERIAL THK 0.58±0.05[.023±.002]
- △3 APPLIES FROM EDGE OF METAL BARREL TO CENTERLINE OF STUD HOLE.

1	323989 ON TAPE	BODY&SLEEVE: COPPER ASTM-B152 TIN PL ASTM-B545	1-323989-0
1	WIRE TERMINAL	INSULATION: NATURAL NYLON ASTM-D4066 TYPE I	323989
QTY	DESCRIPTION	MATERIAL & FINISH	PART NO

THIS DRAWING IS A CONTROLLED DOCUMENT.		DWN	19MAR10	STE TE Connectivity	
		CHK	19MAR10		
DIMENSIONS: mm [INCHES]		JEFF RUTH		NAME	
TOLERANCES UNLESS OTHERWISE SPECIFIED:		TOM MICHIELUTTI		TERMINAL, NYLON - PIDG - RING TONGUE	
0 PLC ± -		APVD		WIRE SIZE: 24-20	
1 PLC ± -		PRODUCT SPEC		RESTRICTED TO	
2 PLC ± -		APPLICATION SPEC		SIZE	
3 PLC ± 0.20 [.008]		WEIGHT		CAGE CODE	
4 PLC ± - ± 0° 30'		DRAWING NO		DRAWING NO	
MATERIAL	FINISH	A3		00779	
SEE TABLE	SEE TABLE	C-323989		323989	
		CUSTOMER DRAWING		SCALE 10:1	
				SHEET 1 OF 1	
				REV D2	