

4

3

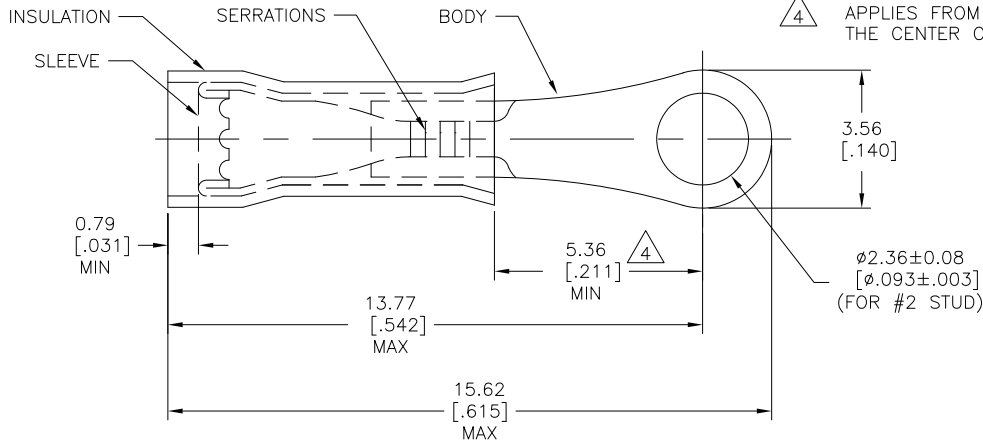
2

1

THIS DRAWING IS UNPUBLISHED. RELEASED FOR PUBLICATION
 © COPYRIGHT - BY TYCO ELECTRONICS CORPORATION. ALL INTERNATIONAL RIGHTS RESERVED.

LOC	DIST	REVISIONS				
P	LTR	DESCRIPTION	DATE	DWN	APVD	
G	14	G1	REVISED PER ECR-09-017960	28AUG09	HMR	JR

- 1 FOR 1.27 [.050] TO 2.08 [.082] WIRE INSULATION DIA
- 2 TONGUE MATERIAL THK = 0.46±0.05 [.018±.002]
- △3 SUPERSEDED BY 2-323912-1
- △4 APPLIES FROM THE METAL EDGE OF THE BARREL TO THE CENTER OF THE STUD



100	LOOSE PC, BOX	BODY & SLEEVE: COPPER (ASTM-B152) TIN PL (ASTM-B545)	8-329951-1
1	329951 ON TAPE		△3 2-329951-1
1	WIRE TERMINAL	INSULATION: NYLON (ASTM-D4066) TYPE 1 COLOR: YELLOW	329951
QTY	DESCRIPTION	MATERIAL & FINISH	PART NO

THIS DRAWING IS A CONTROLLED DOCUMENT.		DWN RAGHAVENDRA 28AUG09	Tyco Electronics Corporation Harrisburg, PA 17105-3608	
DIMENSIONS: mm [INCHES]		CHK JEFF RUTH 28AUG09	NAME TOM MICHELUTTI	
TOLERANCES UNLESS OTHERWISE SPECIFIED:		APVD 28AUG09	PRODUCT SPEC	
0 PLC ± -		APPLICATION SPEC		
1 PLC ± -		SIZE		
2 PLC ± -		CAGE CODE		
3 PLC ± .20 [.008]		DRAWING NO		
4 PLC ± -		RESTRICTED TO		
ANGLES ± 0° 30'		WIRE TERMINAL PIDG - RING TONGUE WIRE SIZE: 26-22		
MATERIAL SEE TABLE	FINISH SEE TABLE	WEIGHT	A3 00779	© 329951
		CUSTOMER DRAWING		SCALE 10:1 SHEET 1 OF 1 REV G1