

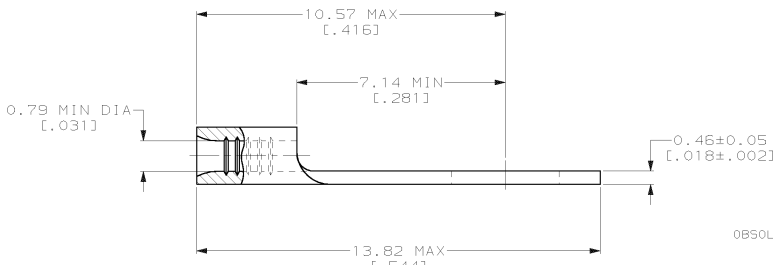
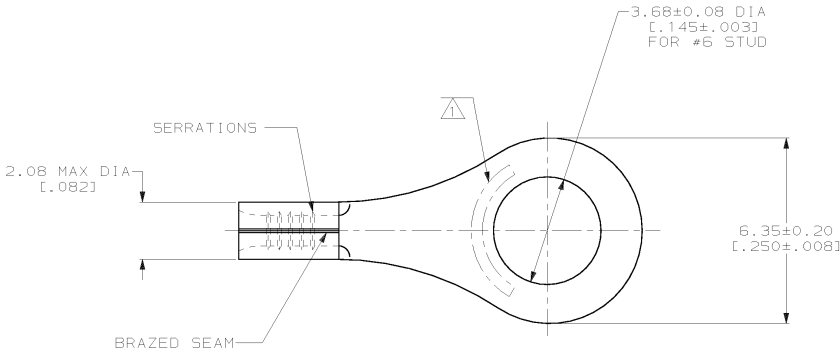
THIS DRAWING IS UNPUBLISHED. RELEASED FOR PUBLICATION .19
 © COPYRIGHT 19 BY AMP INCORPORATED. ALL INTERNATIONAL RIGHTS RESERVED.

LOC	DIST	P	F	ZONE	LTR	REVISIONS	DATE	APPR
6	14					C REV PER 063A-0124-02		

METRIC
 DIMENSIONS LISTED IN mm [INCHES]

AMP WIRE RANGE	UL E13288 Listed
26-22 AWG SOLID OR STRANDED	NOT LISTED
CS LR7189 Certified	MILITARY P/N AND CLASS
NOT CERTIFIED	NOT APPLICABLE

⚠ STAMP AMP APPROX AS SHOWN



OBSOLETE

QUANTITY	MAX OPERATING TEMPERATURE	PACKAGE TYPE	FINISH	PART NO
---	-	LOOSE PIECE	CLEANED, UNPLATED	331401-1
---	---	LOOSE PIECE	GOLD PLATE 0.00127 [.000050] MIN THK PER MIL-G-45204 OVER NICKEL PLATE 0.000762 [.000030] MIN THK PER QQ-N-290	1-331401-2
5000	170°C	331401 ON TAPE	TIN PLATE 0.00254 [.000100] MIN THK PER MIL-T-10727	1-331401-1
---	170°C	LOOSE PIECE	TIN PLATE 0.00254 [.000100] MIN THK PER MIL-T-10727	331401

AMP INCORPORATED CUSTOMER SERVICE SYSTEMS		MAX RECOMMENDED OPERATING TEMPERATURE: SEE TABLE	DO NOT SCALE PRINT. UNLESS SPECIFIED DIMENSIONS IN mm (INCHES) TOLERANCES ON: 2 PLC DEC ± - 3 PLC DEC ± - ANGLES ± -	DR 3-9-93 TA BRINKMAN CHK 3-9-93 DA PATTERSON APPD 3-9-93 DE MILLER APPD 3-9-93 JL MECKLEY	AMP AMP Incorporated Harrisburg, PA 17105-3608	
FOR ADDITIONAL PRODUCT INFORMATION OR COPIES OF DRAWINGS AND TECHNICAL DOCUMENTS	PRODUCT INFORMATION CENTER 1-800-522-6752	VOLTAGE RATING: NOT APPLICABLE	MATERIAL COPPER PER ASTM B-152 ANNEALED	PRODUCT SPEC -	NAME TERMINAL, RING TONGUE, SOLISTRAND	
FOR APPLICATION TOOLING INFORMATION	TOOLING ASSISTANCE CENTER 1-800-722-1111	WIRE CROSS SECTIONAL AREA RANGE: 0.1-0.4mm² (202-810) CIR MILS SOLID OR STRANDED	FINISH SEE TABLE	APPLICATION SPEC -	SIZE C 00779	DRAWING NO C-331401
FOR ORDER ENTRY	1-800-526-5142	THIS DRAWING IS A CONTROLLED DOCUMENT FOR AMP INCORPORATED. IT IS SUBJECT TO CHANGE AND THE CONTROLLING ENGINEERING ORGANIZATION SHOULD BE CONTACTED FOR THE LATEST REVISION.	WEIGHT -	SCALE 10:1	SHEET 1 OF 1	

AMP 1471-B REV 3-92
 10-DEC-96 07:55:58 amp26463 /ws/dept1123/dwg1123/u.solistrand/u.inline

CUSTOMER DRAWING

331401

A

D

C

B

D

D