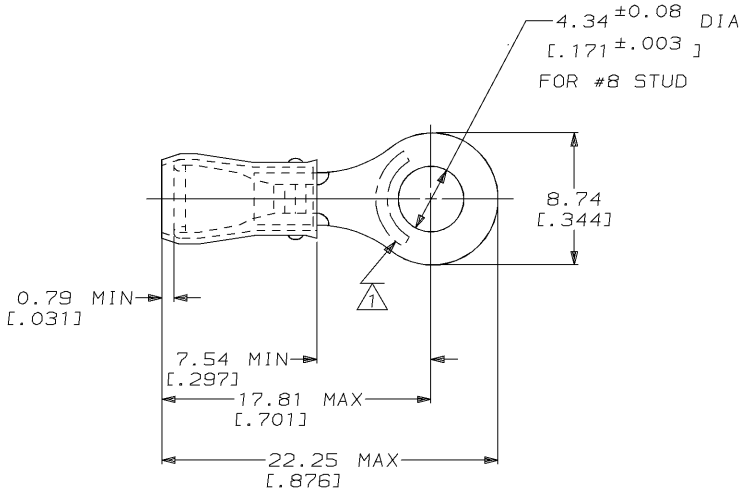


DRAWING MADE IN THIRD ANGLE PROJECTION

THIS DRAWING IS UNPUBLISHED. RELEASED FOR PUBLICATION, 19 .
 © COPYRIGHT 19 BY AMP INCORPORATED. ALL INTERNATIONAL RIGHTS RESERVED.

| LOC | DIST | P | F | ZONE | LTR | REVISIONS | DATE | APPD |
|-----|------|---|---|------|-----|--------------------|---------|------|
| G | 14 | | | | H | REV / 0L20-0025-97 | 27JAN97 | TM |

| | | |
|--------------------------------|--------------------------------|--------------------------------|
| AMP WIRE RANGE | UL Listed | CSA LR7189 Certified |
| 22-16 AWG SOLID OR STRANDED | 22-16 AWG SOLID OR STRANDED | 22-16 AWG SOLID OR STRANDED |



- 1 STAMP AMP 22-18* APPROX AS SHOWN
22-16 TERMINALS ARE STAMPED 22-18 IN
ACCORDANCE WITH MILITARY SPEC MIL-T-7928
COMMERCIAL WIRE RANGE IS 22-16
- 2 WIRE INSULATION DIA: .105 - .140
- 3 TONGUE MATERIAL THK: 0.79^{+0.05} [0.031 ± .002]

**AMP INCORPORATED
CUSTOMER SERVICE SYSTEMS**

| | |
|-------------------------------------------------------------------------------------------|----------------------------------------------|
| FOR ADDITIONAL PRODUCT INFORMATION OR COPIES OF DRAWINGS AND TECHNICAL DOCUMENTS | PRODUCT INFORMATION CENTER 1-800-522-6752 |
| FOR APPLICATION TOOLING INFORMATION | TOOLING ASSISTANCE CENTER 1-800-722-1111 |
| FOR ORDER ENTRY | 1-800-526-5142 |

| |
|--------------------------------------------------------------------------------------------------------|
| MAX RECOMMENDED OPERATING TEMPERATURE: 105°C MAX |
| VOLTAGE RATING: 300 V MAX |
| WIRE CROSS SECTIONAL AREA RANGE: 0.26-1.65mm ² [509-3,260] CIR MILS SOLID OR STRANDED |

| | | | |
|-------------------------------------------------------------------------------------------------------------------------------------------------|-----------------------------------------------------------------------------------------------|----------------------------------------------------------|---------------------------------------------------------------|
| - | 5000 | ON TAPE, REEL | 2-32835-2 |
| - | - | LOOSE PIECE | 32835 |
| MILITARY P/N AND CLASS | QUANTITY | PACKAGE TYPE | PART NO |
| DO NOT SCALE PRINT. UNLESS SPECIFIED DIMENSIONS IN mm [INCHES] TOLERANCES ON: 2 PLC DEC ± 0.201.0081 3 PLC DEC ± - ANGLES ± - | DR 02/11/93 DK SCORUM CHK 4/28/93 RE HERSEY APPD 4/28/93 ML ELLIS M BARNABA | AMP AMP Incorporated Harrisburg, PA 17105-3608 | NAME TERMINAL, RING TONGUE, PIDG™, WIRE SIZE, 22-16 AWG |
| MATERIAL COPPER PER ASTM B 152 SLEEVE, RED NYLON | PRODUCT SPEC UL 486A | SIZE B | CAGE CODE 00779 |
| FINISH TIN PLATE PER MIL-T-10727 | APPLICATION SPEC NOT AVAILABLE | DRAWING NO C=32835 | SCALE 4:1 |
| | WEIGHT - | SHEET | 1 OF 1 |

AMP 1470-15 REV 3-92
27 JAN 1997 15:29:20 AMP10398 <U128A>DEPT1132>U.DWG1132>U.RBY>U.PIDG>U.CUST

CUSTOMER DRAWING