

4

3

2

1

THIS DRAWING IS UNPUBLISHED. RELEASED FOR PUBLICATION
 © COPYRIGHT BY TYCO ELECTRONICS CORPORATION. ALL INTERNATIONAL RIGHTS RESERVED.

LOC	DIST	REVISIONS		
P	LR	DESCRIPTION	DATE	BY
G	14	F1	REVISED PER ECR-09-021767	05OCT09 JR TM

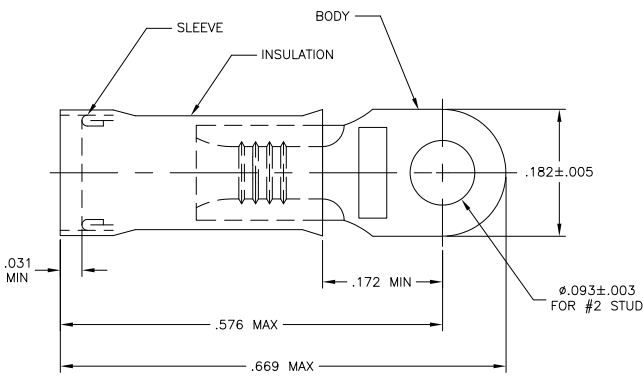


FIGURE 1

FOR .080 TO .125 WIRE INSULATION DIA

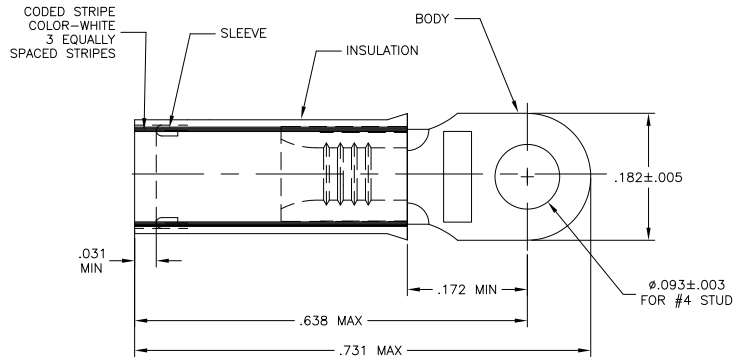


FIGURE 2

INSULATION RESTRICTING
FOR .056 TO .110 WIRE INSULATION DIA

1 TONGUE MATERIAL THK IS .031 ± .002

QTY	DESCRIPTION	MATERIAL & FINISH	PART NO
1	WIRE TERMINAL INSULATION RESTRICTING	BODY & SLEEVE: COPPER (ASTM-B152) TIN PL (ASTM-B545) INSULATION: NYLON COLOR: RED (ASTM-D4066) TYPE 1	2-324158-2
5000	324158 ON TAPE	BODY & SLEEVE: COPPER (ASTM-B152) TIN PL (ASTM-B545) INSULATION: NYLON COLOR: RED (ASTM-D4066) TYPE 1	2-324158-1
1	WIRE TERMINAL	INSULATION: NYLON COLOR: RED (ASTM-D4066) TYPE 1	324158

PART NO.	STYLE	WIRE SIZE	PART NO. ON TAPE
2-324158-2	FIGURE 2	#18	
324158	FIGURE 1	#22-#16	2-324158-1

OBSELETE

THIS DRAWING IS A CONTROLLED DOCUMENT.		DRN: JR_RUTH 02OCT09	Tyco Electronics Corporation Harrisburg, PA 17105-3608	
DIMENSIONS: INCHES		CHK: TOM_MICHELJUTTI 02OCT09	APPC: MIKE_PERCHERKE 02OCT09	
OTHER DIMENSIONS: MILLIMETERS		PRODUCT SPEC: --	APPLICATION SPEC: --	
MATERIAL: SEE TABLE		FINISH: SEE TABLE	SIZE: A2	CAGE CODE: 00779
		CUSTOMER DRAWING		RESTRICTED TO: --
		SCALE: 10:1		SHEET: 1 of 1
				REV: F1

1471-9 (1/08)

324158

A