

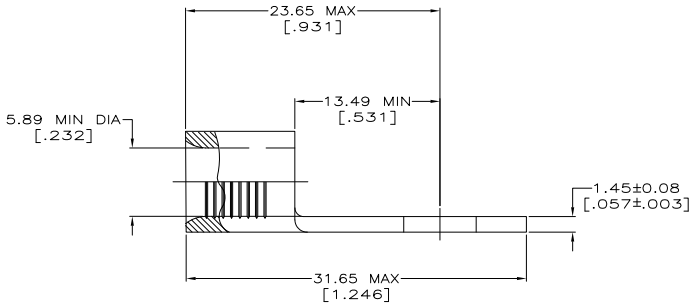
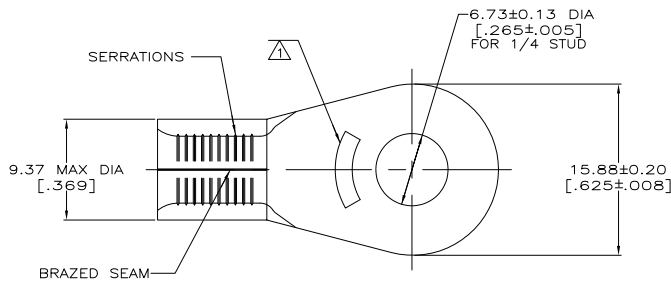
THE DRAWING IS UNPUBLISHED. RELEASED FOR PUBLICATION. ALL RIGHTS RESERVED.

REV	DATE	DESCRIPTION	BY	APP'D
1	11MAR11	REVISED PER ECO-11-004820	RK	HMR

METRIC
DIMENSIONS LISTED IN mm [INCHES]

AMP WIRE RANGE	Listed
6 AWG SOLID OR STRANDED	6 AWG STRANDED
LR7189 Certified	MILITARY P/N AND CLASS
6 AWG SOLID OR STRANDED	NOT APPLICABLE

△ STAMP AMP 6* APPROX AS SHOWN



**AMP INCORPORATED
CUSTOMER SERVICE SYSTEMS**

MAX RECOMMENDED OPERATING TEMPERATURE:
170° C MAX

FOR ADDITIONAL PRODUCT INFORMATION OR COPIES OF DRAWINGS AND TECHNICAL DOCUMENTS

PRODUCT INFORMATION CENTER
1-800-522-6752

VOLTAGE RATING:
NOT APPLICABLE

FOR APPLICATION TOOLING INFORMATION

TOOLING ASSISTANCE CENTER
1-800-722-1111

WIRE CROSS SECTIONAL AREA RANGE:
10.5-16.8MM² [20,800-33,100] CIR MILS
SOLID OR STRANDED

FOR ORDER ENTRY

1-800-526-5142

THIS DRAWING IS A CONTROLLED DOCUMENT FOR AMP INCORPORATED. IT IS SUBJECT TO CHANGE AND THE CONTROLLING ENGINEERING ORGANIZATION SHOULD BE CONTACTED FOR THE LATEST REVISION.

50	LOOSE PIECE, BOX	8-33465-2
750	ON TAPE	2-33465-1
----	LOOSE PIECE	33465
QUANTITY	PACKAGE TYPE	PART NO

THIS DRAWING IS A CONTROLLED DOCUMENT.		BY TA BRINKMAN 3-24-93	DATE 3-24-93	TE Connectivity
DIMENSIONS: mm[INCHES]		CHK DA PATTERSON 3-24-93	DATE 3-24-93	
TOLERANCES UNLESS OTHERWISE SPECIFIED:		APP'D DE MILLER 3-24-93	DATE 3-24-93	TE Connectivity
MATERIAL: COPPER PER ASTM B-152 ANNEALED		PRODUCT SPEC	APPLICATION SPEC	TERMINAL, RING TONGUE, SOLISTRAND TM
FINISH: TIN PLATE SOLDERABLE PER MIL-PRC-10027		WEIGHT	SIZE	RESTRICTED TO
		CUSTOMER DRAWING	A2 00779 © 33465	SCALE 4:1 SHEET 1 of 1 REV E2