

4

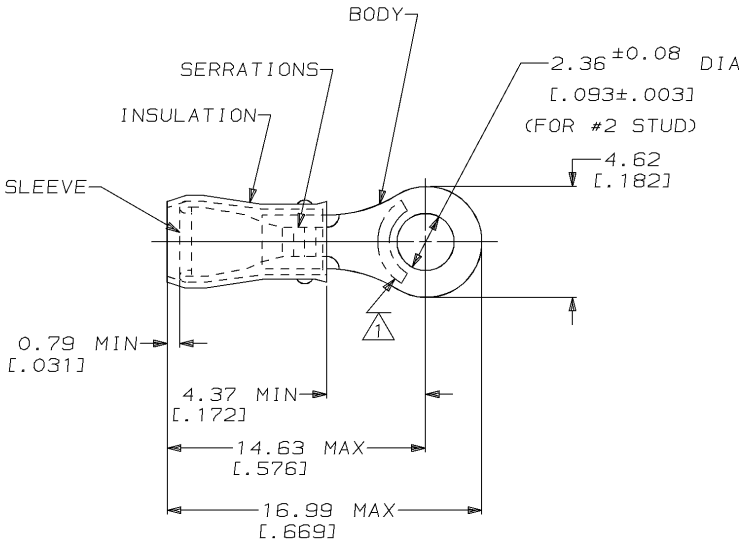
3

2

1

THIS DRAWING IS UNPUBLISHED. RELEASED FOR PUBLICATION
 © COPYRIGHT 19 BY AMP INCORPORATED. ALL RIGHTS RESERVED.

LOC	DIST	REVISIONS			
P	LTR	DESCRIPTION	DATE	DWN	APVD
J		REV / 0720-0607-95	17JUL95	MLE	NB



AMP WIRE RANGE	E13288	LR7189 Certified
22-16 AWG SOLID OR STRANDED	22-16 AWG SOLID OR STRANDED	22-16 AWG SOLID OR STRANDED

- 1. STAMP AMP 22-18* APPROX AS SHOWN
22-16 TERMINALS ARE STAMPED 22-18 IN
ACCORDANCE WITH MILITARY SPEC MIL-T-7928
COMMERCIAL WIRE RANGE IS 22-16
- 2. WIRE INSUL DIA, 2.67-3.56 [.105-.140]
- 3. TONGUE MATERIAL THK: 0.79 ± 0.05 [.031 ± .002]

-	-	-
1000	LOOSE PIECE	320773
QTY	PACKAGE TYPE	PART NO

AMP INCORPORATED CUSTOMER SERVICE SYSTEM		MAX RECOMMENDED OPERATING TEMPERATURE: 105°C [221° F]	THIS DRAWING IS A CONTROLLED DOCUMENT FOR AMP INCORPORATED. IT IS SUBJECT TO CHANGE AND THE CONTROLLING ENGINEERING ORGANIZATION SHOULD BE CONTACTED FOR THE LATEST REVISION.		DWN M ELLIS 16.JUN95	AMP AMP Incorporated Harrisburg, PA 17105-3608
FOR ADDITIONAL PRODUCT INFORMATION OR COPIES OF DRAWINGS AND TECHNICAL DOCUMENTS	PRODUCT INFORMATION CENTER 1-800-522-6752	VOLTAGE RATING: 300 V MAX	DIMENSIONS: mm [in]	TOLERANCES UNLESS OTHERWISE SPECIFIED: 0 PLC ±- 1 PLC ±- 2 PLC ±0.20 [.008] 3 PLC ±- 4 PLC ±- ANGLES ±-	CHK C PRESNELL 16.JUN95	
FOR APPLICATION TOOLING INFORMATION	TOOLING ASSISTANCE CENTER 1-800-722-1111	CIRCULAR MIL AREA: 0.26mm² - 1.65mm² [509-3260]	MATERIAL BODY, SLV, COPPER PER ASTM-B-152 INSUL, NYLON, COLOR, RED	FINISH BODY & SLV, TIN PLATE PER MIL-T-10727	APVD N BIRCH	PRODUCT SPEC UL 486A
FOR ORDER ENTRY	1-800-526-5142				APPLICATION SPEC	WEIGHT -
					CUSTOMER DRAWING	SIZE A3
						CAGE CODE 00779
						DRAWING NO C-320773
						SCALE 4:1
						SHEET 1 OF 1
						REV J

AMP 1470-19 REV 09MAY94
 07 JUL 1995 15:51:04 AMP10390 <UJ128A>DEPT1132-U, DWG1132-U, RBY-U, PID6-U, CUST