

4

3

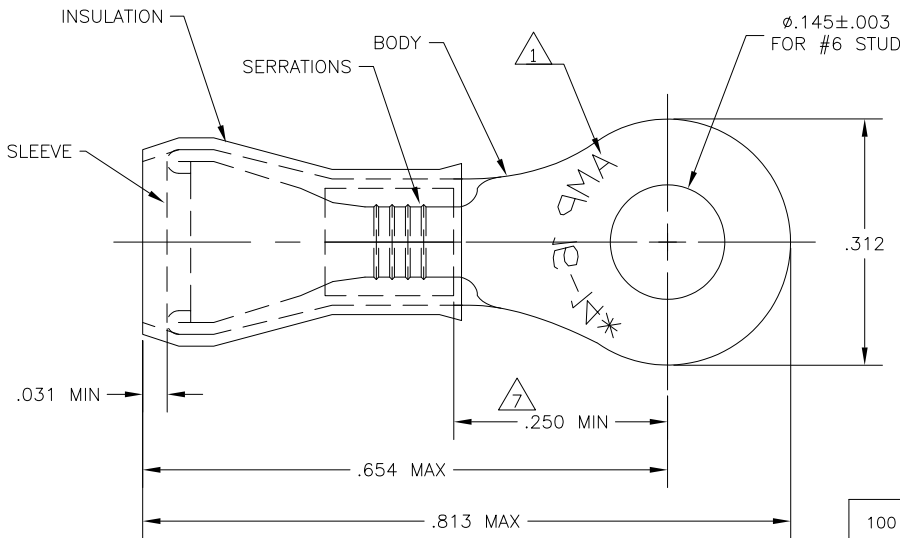
2

1

THIS DRAWING IS UNPUBLISHED. RELEASED FOR PUBLICATION
 © COPYRIGHT - By - ALL RIGHTS RESERVED.

LOC	DIST	REVISIONS			
P	LTR	DESCRIPTION	DATE	DWN	APVD
G	14				
	K2	REVISED PER ECO-11-004917	11MAR11	RK	HMR

AMP WIRE RANGE	Listed	LR7189 Certified
16-14 AWG SOLID OR STRANDED	16-14 AWG SOLID OR STRANDED	16-14 AWG SOLID OR STRANDED



- 1 STAMP AMP 16-14*, APPROX AS SHOWN.
- 2 TONGUE THICKNESS IS $.031 \pm .002$
- 3 FOR $.115-.170$ WIRE INSULATION DIA
- 4 MAX RECOMMENDED OPERATING TEMP IS 105°C.
- 5 300 VOLT MAX RATING.
- 6 WIRE CROSS SECTIONAL AREA RANGE 1.04-2.62mm [2,050-5,180 CIR MILS]
- 7 APPLIES FROM EDGE OF METAL WIRE BBL TO CENTER OF STUD HOLE.
- 8 RESTRICTED PART: AMP GREAT BRITIAN LTD, USE ONLY.

100	LOOSE PIECE, BOX	BODY & SLEEVE: COPPER PER ASTM B152 TIN PL. PER ASTM B-545 INSULATION: NYLON, TYPE I, PER ASTM D4066 COLOR: BLUE	8-326882-1
5000	ON TAPE, REEL		2-326882-1
1000	LOOSE PIECE		326882
QTY	PACKAGING	MATERIAL / FINISH	PART NO

OBSOLETE

THIS DRAWING IS A CONTROLLED DOCUMENT.		DWN jr_ruth 02MAR10	TE Connectivity			
DIMENSIONS: INCHES		CHK T MICHELUTTI 02MAR10				
TOLERANCES UNLESS OTHERWISE SPECIFIED:		APVD T MICHELUTTI 02MAR10	NAME WIRE TERMINAL PIDG, RING TONGUE WIRE SIZE: 16-14			
0 PLC	± .	PRODUCT SPEC	SIZE	CAGE CODE	DRAWING NO	RESTRICTED TO
1 PLC	± .	UL486B	A3	00779	C=326882	
2 PLC	± .	APPLICATION SPEC	WEIGHT			
3 PLC	± .008	114-2157				
4 PLC	± .					
ANGLES	± 1°					
MATERIAL	FINISH	CUSTOMER DRAWING	SCALE	8:1	SHEET	1 of 1
SEE TABLE	SEE TABLE					REV K2