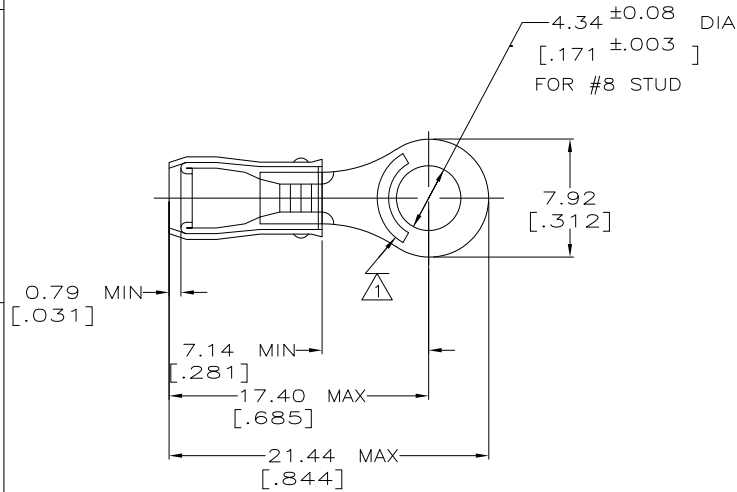


THIS DRAWING IS UNPUBLISHED. RELEASED FOR PUBLICATION  
 © COPYRIGHT -- By -- ALL RIGHTS RESERVED.

LOC	DIST	REVISIONS			
P	LTR	DESCRIPTION	DATE	DWN	APVD
G	14	U1	REVISED PER ECO-11-004917	11MAR11	RK HMR

<b>AMP</b> WIRE RANGE	Listed	LR7189 Certified
22-16 AWG SOLID OR STRANDED	22-16 AWG SOLID OR STRANDED	22-16 AWG SOLID OR STRANDED



- ⚠ STAMP AMP 22-18\* APPROX AS SHOWN  
 22-16 TERMINALS ARE STAMPED 22-18 IN ACCORDANCE WITH MILITARY SPEC MIL-T-7928 COMMERCIAL WIRE RANGE IS 22-16
- 2 WIRE INSULATION DIA: .080 - .125
- 3 TONGUE MATERIAL THK: 0.79<sup>+0.05</sup> [.031<sup>±.002</sup>]
- ⚠ TIN PL 0.00254[.000100] MIN EXT THK PER MIL-T-10727
- ⚠ GOLD PL 0.00127[.000050] MIN EXT THK PER MIL-G-45204 TYPE II OVER NICKEL PL 0.00762[.000030] MIN EXT THK PER QQ-N-290

-	-	LOOSE PIECE	⚠ 2-31888-1
-	-	LOOSE PIECE	⚠ 31888
MILITARY P/N AND CLASS	QUANTITY	PACKAGE TYPE	PART NO

THIS DRAWING IS A CONTROLLED DOCUMENT.		DWN DK SCHRUM 02/11/93	TE Connectivity	
		CHK RE HERSEY 4/28/93		
DIMENSIONS: MM[INCHES]	TOLERANCES UNLESS OTHERWISE SPECIFIED:	APVD ML ELLIS 4/28/93	NAME	
	0 PLC ± - 1 PLC ± - 2 PLC ± 0.20[.008] 3 PLC ± - 4 PLC ± - ANGLES ± -	PRODUCT SPEC UL 486A	TERMINAL, RING TONGUE, PIDG™, WIRE SIZE, 22-16 AWG	
MATERIAL COPPER PER ASTM B-152 SLEEVE, RED VINYL	FINISH SEE	APPLICATION SPEC NOT AVAILABLE	SIZE A300779	DRAWING NO C=31888
		WEIGHT -	CUSTOMER DRAWING	RESTRICTED TO -
			SCALE 4:1	SHEET 1 of 1
				REV U1

1470-19 (3/11)