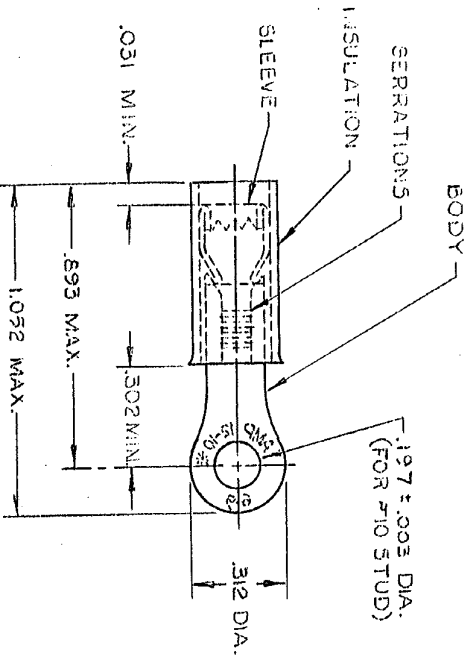


DRAWING MADE IN THIRD ANGLE PROJECTION

THIS DRAWING IS UNPUBLISHED. RELEASED FOR PUBLICATION

© COPYRIGHT 19 BY AMP INCORPORATED, HARRISBURG, PA. ALL INTERNATIONAL RIGHTS RESERVED. AMP PRODUCTS MAY BE COVERED BY U.S. AND FOREIGN PATENTS AND/OR PATENTS PENDING.



- 1 WIRE INSULATION DIA. = .150 - .230
- 2 TONGUE MATERIAL THK - .040 ± .002
- 3 BODY FINISH = TIN PLATE (MIL-T-10727), .000100 MIN THK.

| REVISIONS | | DATE | APPROVED |
|-----------|-------------------------------|----------|----------|
| P | ZONE | | |
| F | LTR | | |
| D | REDRAWN - REVISED PER G-1473, | 10/96 | Pjm |
| E | G-1175 & P85-0133 | | |
| F | OBSELETE 2-1 PER G-2393 | 3/24/95 | mm |
| G | REV PER G-4732 | 11/26/94 | mm |
| | REV/0720-0006-93 | 4-12-93 | TD/mk |

OBSELETE

| QUANTITY | DESCRIPTION | PART NO |
|----------|---------------|------------|
| 50 | LOOSE PC, BOX | 8-324918-2 |
| 2500 | ON TAPE REEL | 1-324918-0 |
| 4 | LOOSE PIECE | 324915 |

| | |
|--|--------------------------|
| UNLESS OTHERWISE SPECIFIED DIMENSIONS ARE IN INCHES TOLERANCES ON: DECIMALS ±.003 ANGLES ±.003 | |
| CONTRACT NO | UT A /RFS 10-3-85 |
| CHK | By [Signature] |
| APPD | 11/21/91 11/21/91 2/3/94 |
| DSGN APPD | |
| OTHER APPD | |
| FINISH BODY- | 3 |

| | |
|--|----------------------------------|
| NAME | AMP INCORPORATED Harrisburg, Pa. |
| TERMINAL, RIDG. RING TONGUE WIRE SIZE: 12-10 | |
| SIZE | B |
| FSGM NO | 00779 |
| DRAWING NO | 324918 |
| SCALE | NTS |
| SHEET | 1 OF 1 |

CUSTOMER DRAWING

AMP 1470-17