

4

3

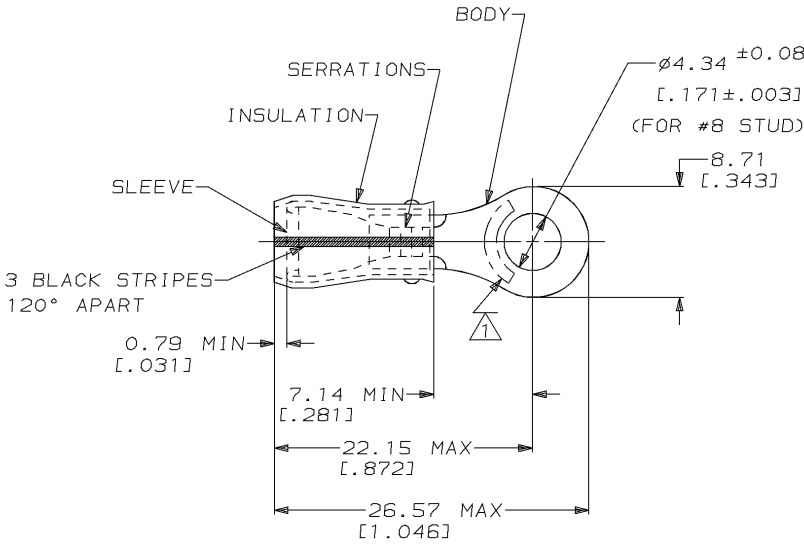
2

1

THIS DRAWING IS UNPUBLISHED. RELEASED FOR PUBLICATION  
 © COPYRIGHT 19 BY AMP INCORPORATED. ALL RIGHTS RESERVED.

LOC	DIST	REVISIONS			
P	LTR	DESCRIPTION	DATE	DWN	APVD
G	14	F	REV & REDRAW / 0720-0575-95	28SEP95	MLE NB

AMP WIRE RANGE	E13288	LR7189 Certified
16-14 AWG SOLID OR STRANDED	16-14 AWG SOLID OR STRANDED	16-14 AWG SOLID OR STRANDED



- 1. STAMP AMP 16-14 HD\* APPROX AS SHOWN
- 2. WIRE INSUL DIA, 3.81-6.35 [.150-.250]
- 3. TONGUE MATERIAL THK, 1.22±0.05 [.048±.002]

QTY	PACKAGE TYPE	PART NO
50	LOOSE PIECE, BOX	8-35106-2
2500	ON TAPE, REEL	2-35106-1
500	LOOSE PIECE	35106

AMP INCORPORATED CUSTOMER SERVICE SYSTEM		MAX RECOMMENDED OPERATING TEMPERATURE: 105°C [221°F]	THIS DRAWING IS A CONTROLLED DOCUMENT FOR AMP INCORPORATED. IT IS SUBJECT TO CHANGE AND THE CONTROLLING ENGINEERING ORGANIZATION SHOULD BE CONTACTED FOR THE LATEST REVISION.		DWN M ELLIS	3	1/3	1/3	1/3	AMP Incorporated Harrisburg, PA 17105-3608
FOR ADDITIONAL PRODUCT INFORMATION OR COPIES OF DRAWINGS AND TECHNICAL DOCUMENTS	PRODUCT INFORMATION CENTER 1-800-522-6752	VOLTAGE RATING: 300 V MAX	DIMENSIONS: mm [in]	TOLERANCES UNLESS OTHERWISE SPECIFIED:	CHK C PRESNELL	28SEP95	NAME N BIRCH			
FOR APPLICATION TOOLING INFORMATION	TOOLING ASSISTANCE CENTER 1-800-722-1111	CIRCULAR MIL AREA: 1.04mm²-2.62mm² [2050-5180]		0 PLC ±- 1 PLC ±- 2 PLC ±- 3 PLC ±- 4 PLC ±- ANGLES ±-	APVD N BIRCH	28SEP95	PRODUCT SPEC UL 486A			
FOR ORDER ENTRY	1-800-526-5142		MATERIAL BODY, SLV, COPPER PER ASTM B 152 INSUL., NYLON, COLOR, YELLOW	FINISH BODY & SLV, TIN PLATE PER MIL-T-10727	WEIGHT -	SIZE A3	CAGE CODE 00779	DRAWING NO C-35106	TERMINAL, RING TONGUE, PIDG™, WIRE SIZE, 16-14 HD AWG	
AMP 1470-19 REV 09MAY94					CUSTOMER DRAWING		SCALE 4:1	SHEET 1 OF 1	REV F	