

4

3

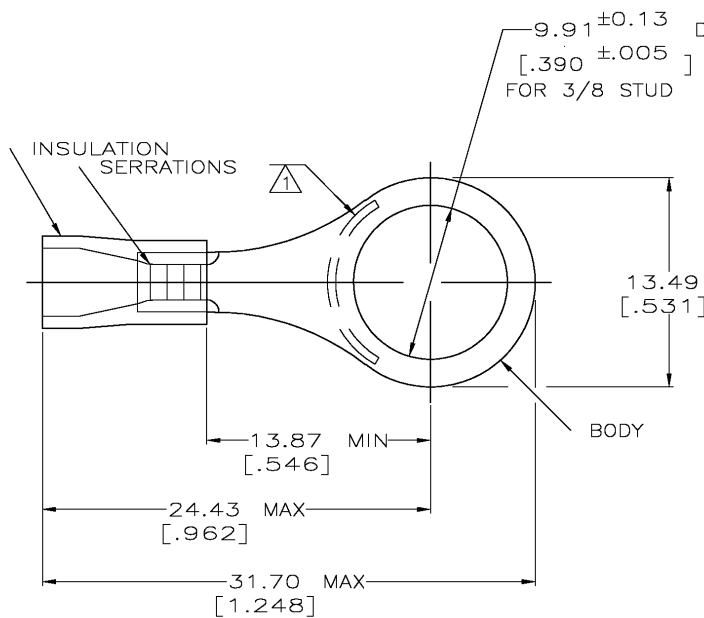
2

1

THIS DRAWING IS UNPUBLISHED. RELEASED FOR PUBLICATION  
 © COPYRIGHT - BY TYCO ELECTRONICS CORPORATION. ALL RIGHTS RESERVED.

LOC	DIST	REVISIONS					
		P	LTR	DESCRIPTION	DATE	DWN	APVD
G	14	M		REV PER 0G3A-0832-04	27JAN05	JR	TM

AMP WIRE RANGE	Listed FILE E13288	LR7189 Certified
16-14 AWG SOLID OR STRANDED	16-14 AWG SOLID OR STRANDED	16-14 AWG SOLID OR STRANDED



- △1 STAMP AMP 16-14\* 2 1/2-4 APPROX AS SHOWN
- 2 WIRE INSULATION DIA: 3.00-4.90mm [.118-.193].
- 3 TONGUE MATERIAL THK: 0.79±0.05 [.031±0.002]
- △4 MATERIAL: BODY - CU PER ASTM B152  
SLEEVE - PVC, COLOR - BLUE
- △5 MATERIAL: BODY - CU PER ASTM B152  
SLEEVE - PVC, COLOR - BLACK

OBSOLETE	QTY	PACKAGE TYPE	PART NO.
25	LOOSE PC,BAG	△	8-34164-5
100	LOOSE PC,BOX	△	8-34164-1
5000	ON TAPE, REEL	△	2-34164-4
5000	ON TAPE, REEL	△	2-34164-2
-	LOOSE PIECE	△	34164

<b>AMP INCORPORATED CUSTOMER SERVICE SYSTEMS</b>		<b>MAX RECOMMENDED OPERATING TEMPERATURE:</b> 105°C [221° F]	THIS DRAWING IS A CONTROLLED DOCUMENT.		DWN DK SCHRUM 08/06/92	Tyco Electronics Corporation Harrisburg, Pa 17105-3608
FOR ADDITIONAL PRODUCT INFORMATION OR COPIES OF DRAWINGS AND TECHNICAL DOCUMENTS	PRODUCT INFORMATION CENTER 1-800-522-6752	<b>VOLTAGE RATING:</b> N/A	DIMENSIONS: MM [INCHES]	TOLERANCES UNLESS OTHERWISE SPECIFIED: 0 PLC ±- 1 PLC ±- 2 PLC ±0.20[.008] 3 PLC ±- 4 PLC ±- ANGLES ±-	CHK RE HERSEY 11/10/92	
FOR APPLICATION	TOOLING ASSISTANCE CENTER 1-800-722-1111	<b>CIRCULAR MIL AREA:</b> 1.04-2.62mm² [2,050-5,180] SOLID OR STRANDED		MATERIAL	APVD M ELLIS 11/10/92	PRODUCT SPEC 108-1034
TOOLING INFORMATION	1-800-722-1111	THIS DRAWING IS A CONTROLLED DOCUMENT FOR AMP INCORPORATED. IT IS SUBJECT TO CHANGE AND THE CONTROLLING ENGINEERING ORGANIZATION SHOULD BE CONTACTED FOR THE LATEST REVISION.	SEE NOTES	FINISH TIN PER ASTM B545	APPLICATION SPEC NOT AVAILABLE	SIZE A3
FOR ORDER ENTRY	1-800-526-5142				WEIGHT -	CAGE CODE 00779
					CUSTOMER DRAWING	DRAWING NO C-34164
					SCALE 4:1	RESTRICTED TO -
					SHEET 1	OF 1
					REV M	

AMP 1470-19 REV 31MAR2000