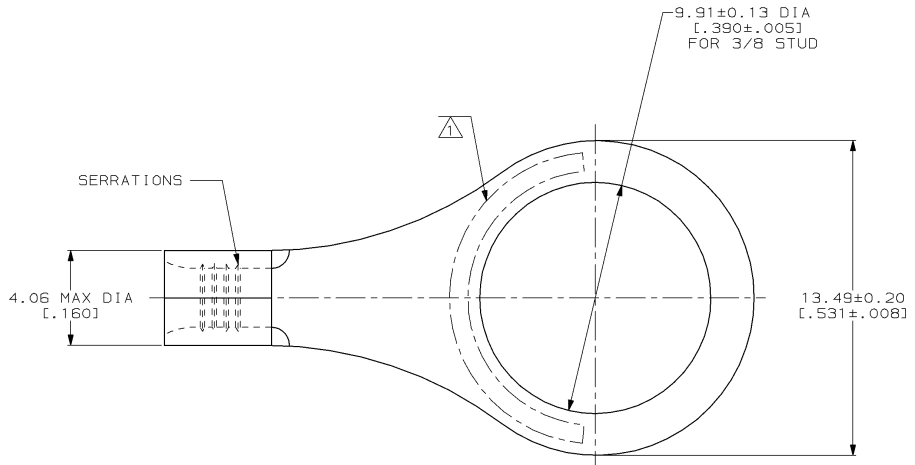


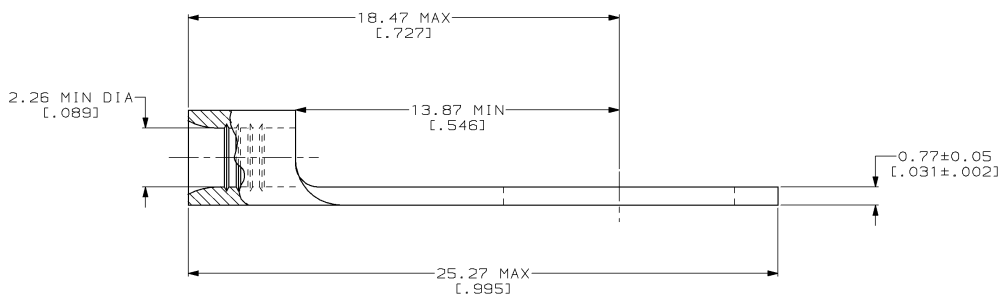
THIS DRAWING IS UNPUBLISHED. RELEASED FOR PUBLICATION
 © COPYRIGHT 19 BY AMP INCORPORATED. ALL INTERNATIONAL RIGHTS RESERVED.

LOC	DIST	P	F	ZONE	LTR	REVISIONS	DATE	APPD
G	14				D	REV / 0610-0026-99	12FEB99	JS SU



AMP WIRE RANGE	UL E13288 Listed
16-14 AWG STRANDED	16-14 AWG STRANDED
LR7189 Certified	MILITARY P/N AND CLASS
NOT CERTIFIED	NOT APPLICABLE

△ STAMP AMP 16-14* APPROX AS SHOWN



AMP INCORPORATED CUSTOMER SERVICE SYSTEMS		MAX RECOMMENDED OPERATING TEMPERATURE: 170°C MAX	DO NOT SCALE PRINT. UNLESS SPECIFIED DIMENSIONS IN mm [INCHES] TOLERANCES ON: 2 PLC DEC ± - 3 PLC DEC ± - ANGLES ± -	DR 2-5-93 TA BRINKMAN CHK 2-5-93 DA PATTERSON APPD 2-5-93 DE MILLER APPD 2-5-93 JL MECKLEY PRODUCT SPEC -	31499 PART NO
FOR ADDITIONAL PRODUCT INFORMATION OR COPIES OF DRAWINGS AND TECHNICAL DOCUMENTS	PRODUCT INFORMATION CENTER 1-800-522-6752	VOLTAGE RATING: NOT APPLICABLE	MATERIAL COPPER PER ASTM B-152 ANNEALED	NAME	AMP AMP Incorporated Harrisburg, PA 17105-3608
FOR APPLICATION TOOLING INFORMATION	TOOLING ASSISTANCE CENTER 1-800-722-1111	WIRE CROSS SECTIONAL AREA RANGE: 1.04-2.62mm² [2,050-5,180] CIR MILS STRANDED	FINISH TIN PLATE 0.00254[0.000100] MIN THK PER ASTM B-545	TERMINAL, RING TONGUE, BUDGET	
FOR ORDER ENTRY	1-800-526-5142	THIS DRAWING IS A CONTROLLED DOCUMENT FOR AMP INCORPORATED. IT IS SUBJECT TO CHANGE AND THE CONTROLLING ENGINEERING ORGANIZATION SHOULD BE CONTACTED FOR THE LATEST REVISION.	APPLICATION SPEC -	SIZE CAGE CODE DRAWING NO	C 00779 C=31499 SCALE 8:1 SHEET 1 OF 1
AMP 1471-6 REV 3-92			WEIGHT -	CUSTOMER DRAWING	

12-FEB-99 13:46:58 amp10398 /home/ssrv027a/dsk01/dept1132/amp10398/admod