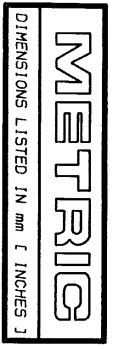
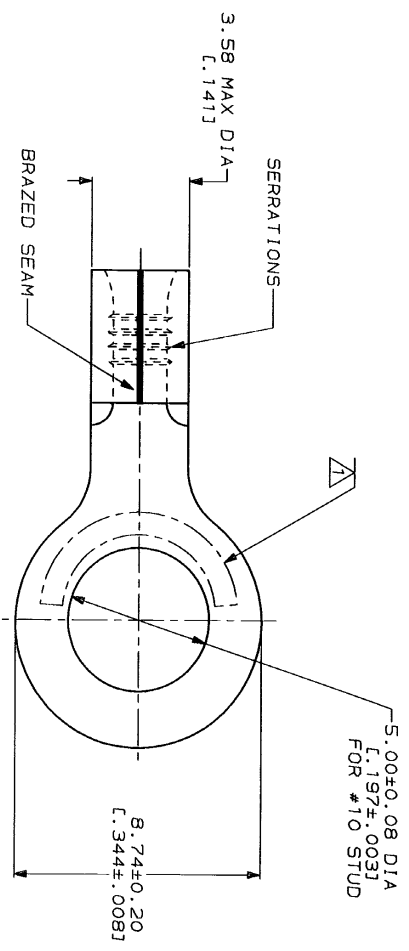


REV	DATE	APPROVED	DESCRIPTION
1	3-10-93		REV, RDRW, & SM PKG PER 0720-0040-93



AMP WIRE RANGE	UL E13289 Listed
22-16 AWG SOLID OR STRANDED	22-16 AWG SOLID OR STRANDED
LR7189 Certified	MILITARY P/N AND CLASS
22-16 AWG SOLID OR STRANDED	NOT APPLICABLE



△ STAMP AMP 22-18* APPROX AS SHOWN
 22-16 TERMINALS ARE STAMPED 22-18 IN
 ACCORDANCE WITH MILITARY SPECIFICATION
 MIL-T-7928, COMMERCIAL WIRE RANGE IS 22-16

**AMP INCORPORATED
 CUSTOMER SERVICE SYSTEMS**

FOR ADDITIONAL
 PRODUCT INFORMATION OR
 COPIES OF DRAWINGS
 AND TECHNICAL DOCUMENTS
 FOR APPLICATION
 TOOLING INFORMATION
 FOR ORDER ENTRY

PRODUCT INFORMATION CENTER
 1-800-522-6752
 TOOLING ASSISTANCE CENTER
 1-800-722-1111
 1-800-526-5142

MAX RECOMMENDED OPERATING
 TEMPERATURE: 170°C MAX

VOLTAGE RATING:
 NOT APPLICABLE

WIRE CROSS SECTIONAL AREA RANGE:
 0.26-1.65mm² (509-3,260) CIR MILS
 SOLID OR STRANDED

DO NOT SCALE PRINT.
 DIMENSIONS LISTED IN INCHES
 TOLERANCES ON:
 2 PLG DEC ± .01
 3 PLG DEC ± .01
 ANGLES
 MATERIAL
 COPPER PER
 ASTM B-152
 ANNEALED

FINISH
 TIN PLATE
 0.0025(L.000100) MIN
 THK PER MIL-T-10727

DR 3-18-93 JA BRINKMAN	OR 3-18-93 JA BRINKMAN	NAME	TERMINAL, RING TONGUE, SOLISTRAND™
CHK 3-10-93 DA PATTERSON	APPD 3-10-93 DE MILLER	SIZE	CAGE CODE 00779
APPD 3-10-93 JL HECKLEY	PRODUCT SPEC	SCALE	8:1
APPD 3-10-93 JL HECKLEY	APPLICATION SPEC	DRAWING NO	323087
APPD 3-10-93 JL HECKLEY	WEIGHT	SHEET	1 OF 1

QUANTITY	100	LOOSE PIECE, BOX	8-323087-1
	---	LOOSE PIECE	323087
		PACKAGE TYPE	PART NO



AMP Incorporated
 Harrisburg, PA 17105-3608