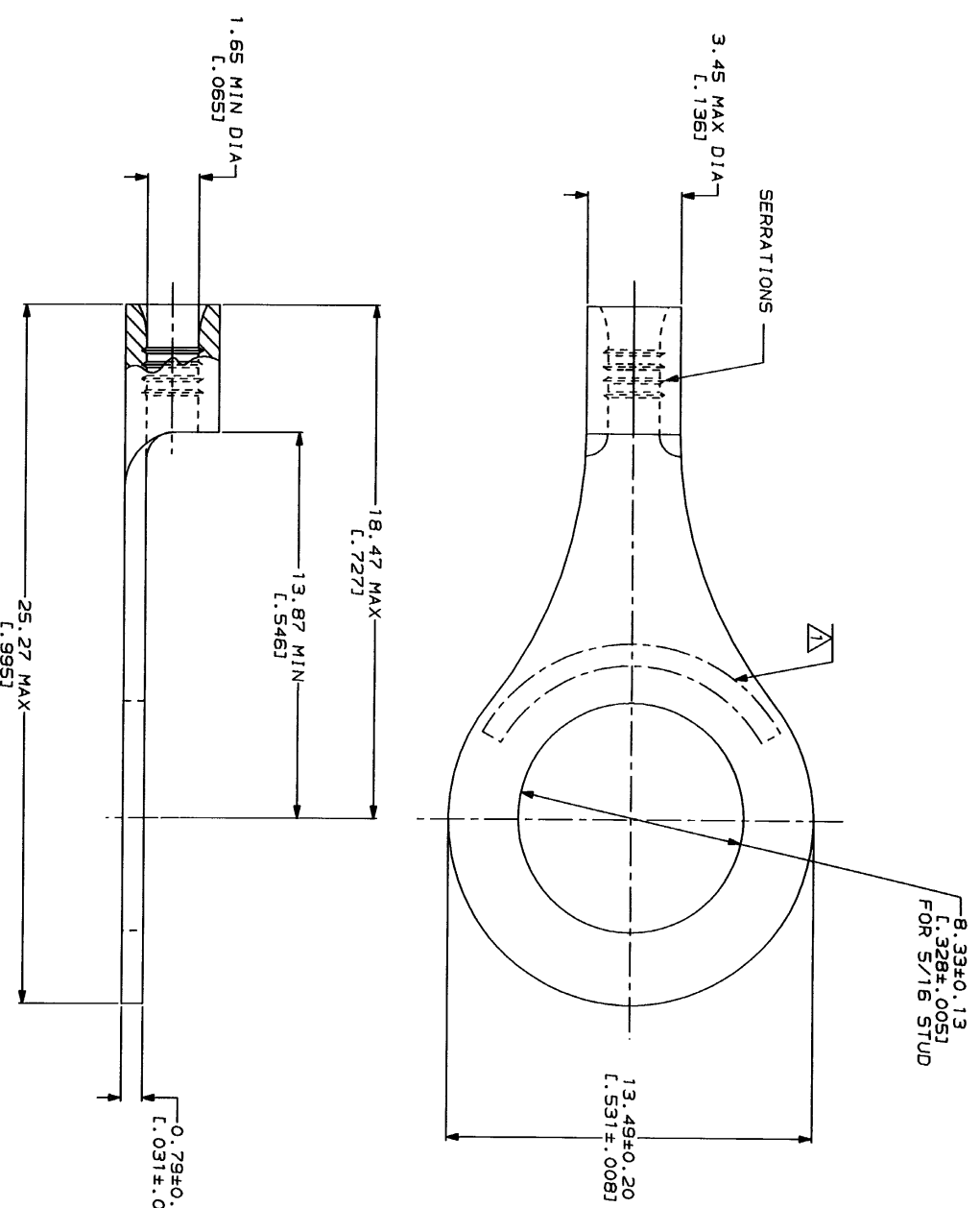


LOC	QTY	REV	DATE	BY	DESCRIPTION
G	14	A	2/28/94	gpa	REVISED PER 0720-0230-93



<b>AMP</b> WIRE RANGE 22-16 AWG STRANDED	<b>IL</b> E13289 LISTED
<b>LR7189</b> Certified	MILITARY P/N AND CLASS
NOT CERTIFIED	NOT APPLICABLE

△ STAMP AMP 22-18\* APPROX AS SHOWN  
22-16 TERMINALS ARE STAMPED 22-18 IN  
ACCORDANCE WITH MILITARY SPECIFICATION  
MIL-T-7928, COMMERCIAL WIRE RANGE IS 22-16



**AMP INCORPORATED**  
CUSTOMER SERVICE SYSTEMS

FOR ADDITIONAL  
PRODUCT INFORMATION OR  
COPIES OF DRAWINGS  
AND TECHNICAL DOCUMENTS  
FOR APPLICATION  
TOOLING INFORMATION  
FOR ORDER ENTRY

PRODUCT INFORMATION CENTER  
1-800-522-6752

TOOLING ASSISTANCE CENTER  
1-800-722-1111

1-800-526-5142

MAX RECOMMENDED OPERATING  
TEMPERATURE: 170°C MAX

VOLTAGE RATING:  
NOT APPLICABLE

WIRE CROSS SECTIONAL AREA RANGE:  
0.26-1.65mm<sup>2</sup> (509-3.260) CIR MILS  
STRANDED

DO NOT SCALE PRINT.  
UNLESS SPECIFIED, DIMENSIONS  
SHOWN IN THIS DRAWING ARE  
TOLERANCES ON:  
2 PLG DEC ± .005  
3 PLG DEC ± .005  
HANDLES ± .005

FINISH: TIN PLATE  
0.00254(L.000100) MIN  
THK PER MIL-T-10727

DR 3-4-89  
TA BRINKMAN  
CHK 2-4-93  
DA PATTERSON

APPD 2-4-83  
DE MILLER

APPD 2-4-83  
JL WICKLEY

PRODUCT SPEC

APPLICATION SPEC

WEIGHT

**AMP** AMP Incorporated  
Harrisburg, PA 17105-3608

NAME: TERMINAL, RING TONGUE,  
BUDGET

SIZE: CAGE CODE 00779 DRAWING NO 324124  
SCALE: 8:1

PART NO: 324124