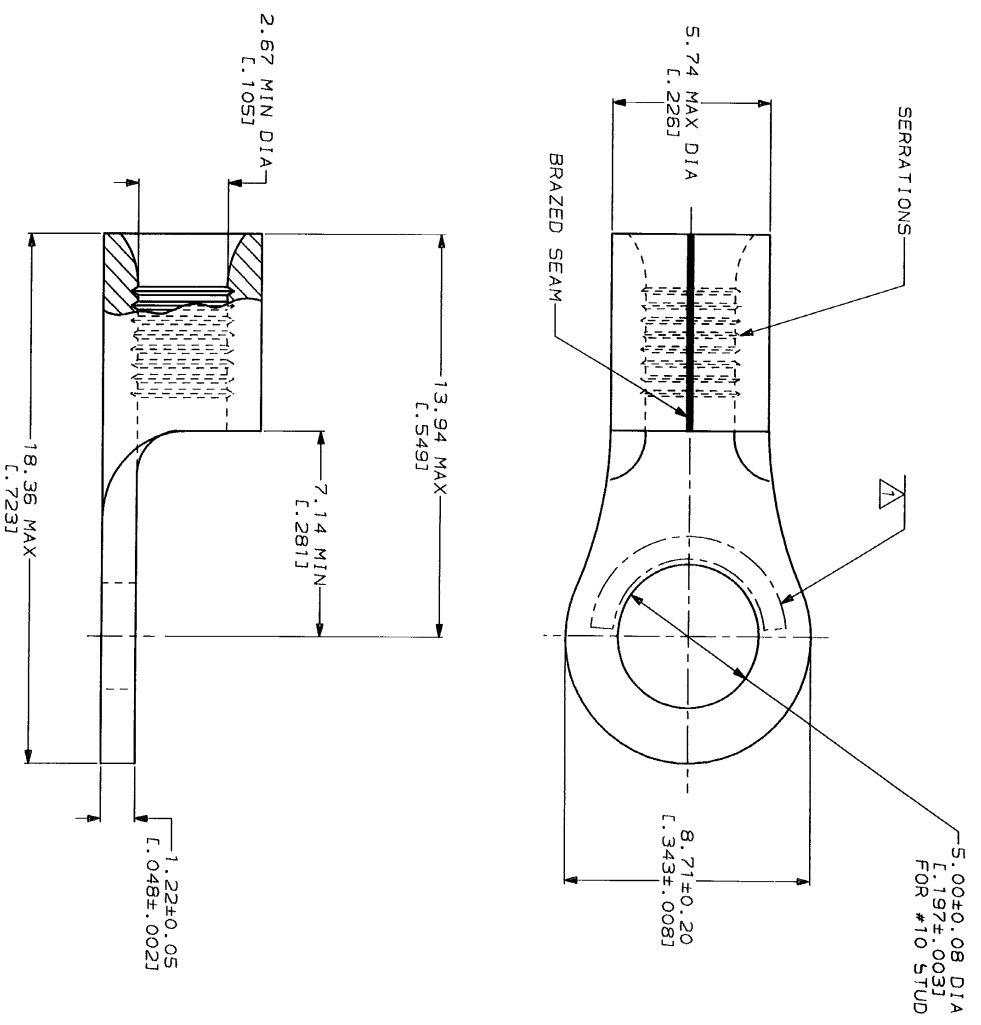


LOC	QTY	REV	DESCRIPTION	DATE	APP'D
G	14	F	REV, RORW, & SM PKG PER 0720-0040-93	3-17-93	g'd



AMP WIRE RANGE	UL E13288 Listed
16-14HD AWG SOLID OR STRANDED	16-14HD AWG STRANDED
UL L7189 Certified	MILITARY P/N AND CLASS
16-14HD AWG SOLID OR STRANDED	NOT APPLICABLE

△ STAMP AMP 16-14HD* APPROX AS SHOWN



AMP INCORPORATED
CUSTOMER SERVICE SYSTEMS

FOR ADDITIONAL
 PRODUCT INFORMATION OR
 COPIES OF DRAWINGS
 AND TECHNICAL DOCUMENTS
 FOR APPLICATION
 TOOLING INFORMATION
 FOR ORDER ENTRY

PRODUCT INFORMATION CENTER
 1-800-522-6752

TOOLING ASSISTANCE CENTER
 1-800-722-1111

1-800-526-5142

MAX RECOMMENDED OPERATING
 TEMPERATURE: 170°C MAX

VOLTAGE RATING:
 NOT APPLICABLE

WIRE CROSS SECTIONAL AREA RANGE:
 1.04-2.62mm² [2.050-5.180] CIR MILS

FINISH: TIN PLATE
 0.00254L [0.00100] MIN
 THK PER MIL-T-10727

DO NOT SCALE PRINT.
 DIMENSIONS SPECIFIED UNLESS OTHERWISE NOTED.
 TOLERANCES ON:
 2 P.L.C. DEC ± .1
 3 P.L.C. DEC ± .1
 ANGLES
 MATERIAL
 COPPER PER
 ASTM B-152
 ANNEALED

DR	DATE	BY	DESCRIPTION
3-17-93	3-17-93	DA PATTERSON	DR
3-17-93	3-17-93	DE MILLER	APPD
3-17-93	3-17-93	JL MECKLEY	APPD

QTY	DESCRIPTION	UNIT	PART NO
100	LOOSE PIECE, BOX		8-34567-1
2500	ON TAPE		2-34567-1
	LOOSE PIECE		34567

NAME	SCALE	DRAWING NO	SHEET
AMP Incorporated Harrisburg, PA 17105-3608	8:1	00779	1 OF 1