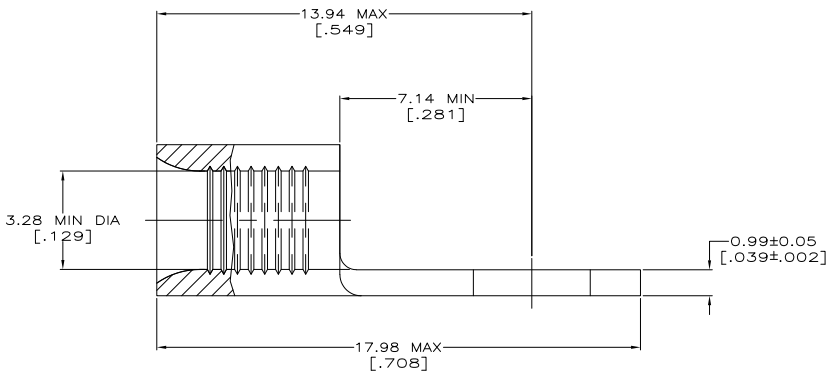
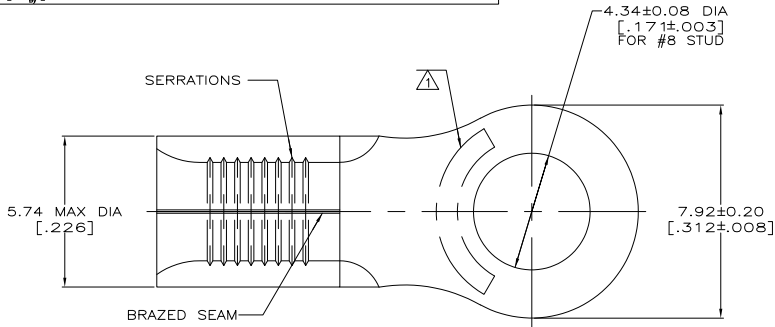


THIS DRAWING IS UNPUBLISHED. RELEASED FOR PUBLICATION. ALL RIGHTS RESERVED.

REV	DATE	DESCRIPTION	JR/MS	DATE	BY	APPD
F1		REVISED PER ECO-11-004820		11MAR11	RK	HMR

AMP WIRE RANGE	Listed FILE E13288	LR7189 Certified
12-10 AWG SOLID OR STRANDED	12-10 AWG STRANDED	12-10 AWG SOLID OR STRANDED



- △ STAMP AMP 12-10* APPROX AS SHOWN
- △ PRELIMINARY - NOT FOR PRODUCTION
- △ 0.00254 [.000100] MIN TIN PLATE PER ASTM B-545
- △ CLEANED, UNPLATED
- △ 0.00254 [.000100] MIN TIN-LEAD (93-7) PLATE PER ASTM B-545 (3% MIN LEAD CONTENT)
- △ COPPER PER ASTM B-152, ANNEALED

FINISH	QTY	PACKAGE TYPE	PART NO.
5	500	LOOSE PIECE	322454-3
4	-	LOOSE PIECE	△ 322454-2
3	50	LOOSE PIECE, BOX	8-322454-2
3	2500	ON TAPE, REEL	322454-1
3	----	LOOSE PIECE	322454

MAX. RECOMMENDED OPERATING TEMPERATURE: 170°C MAX	THIS DRAWING IS A CONTROLLED DOCUMENT.		BY TA BRINKMAN 3-17-93		TE Connectivity
VOLTAGE RATING: N/A	DIMENSIONS: MM (INCHES)	TOLERANCES UNLESS OTHERWISE SPECIFIED:	CHK DA PATTERSON 3-17-93		PRODUCT SPEC
CIRCULAR MIL AREA: 2.62-6.64mm ² (5,180-13,100) SOLID OR STRANDED	0 P/C ± . 1 P/C ± . 2 P/C ± . 3 P/C ± . 4 P/C ± .	FINISH SEE TABLE	APPD JL MECKLEY 3-17-93	APPLICATION SPEC	RESTRICTED TO
				WEIGHT	SIZE A2
				CUSTOMER DRAWING	QAGE CODE 00779
					DRAWING NO 322454
					SCALE 10:1
					SHEET 1 of 1
					REV F1