

4

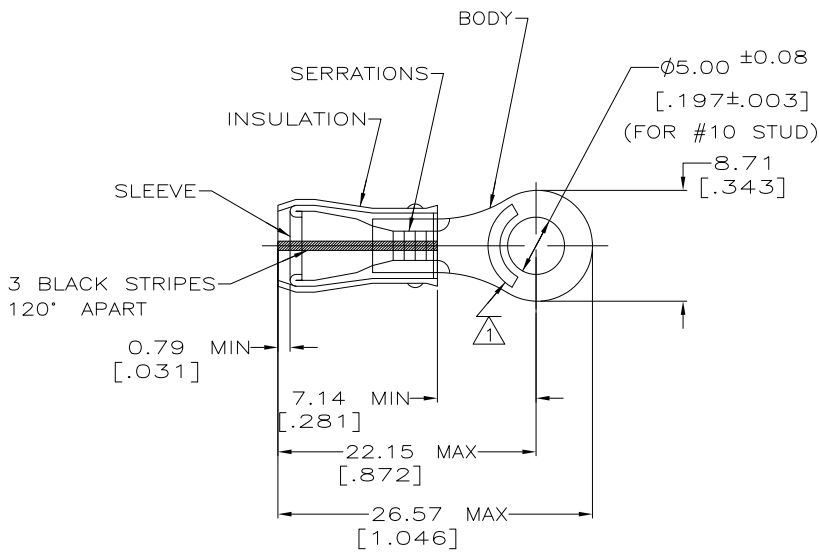
3

2

1

THIS DRAWING IS UNPUBLISHED. RELEASED FOR PUBLICATION  
 © COPYRIGHT - By - ALL RIGHTS RESERVED.

LOC	DIST	REVISIONS			
P	LTR	DESCRIPTION	DATE	DWN	APVD
G	14	REVISED PER ECO-11-005027	11MAR11	RK	HMR



<b>AMP</b> WIRE RANGE	E13288	LR7189 Certified
16-14 AWG SOLID OR STRANDED	16-14 AWG SOLID OR STRANDED	16-14 AWG SOLID OR STRANDED

- △ STAMP AMP 16-14 HD\* APPROX AS SHOWN
- WIRE INSUL DIA, 3.81-6.35 [.150-.250]
  - TONGUE MATERIAL THK, 1.22±0.05 [.048±.002]

QTY	PACKAGE TYPE	PART NO
100	LOOSE PIECE, BOX	8-34805-1
2500	ON TAPE, REEL	2-34805-1
500	LOOSE PIECE	34805

AMP INCORPORATED CUSTOMER SERVICE SYSTEM		MAX RECOMMENDED OPERATING TEMPERATURE: 105° C [221° F]	THIS DRAWING IS A CONTROLLED DOCUMENT.		DWN M ELLIS 28SEP95	TE Connectivity		
FOR ADDITIONAL PRODUCT INFORMATION OR COPIES OF DRAWINGS AND TECHNICAL DOCUMENTS	PRODUCT INFORMATION CENTER 1-800-522-6752	VOLTAGE RATING: 300 V MAX	DIMENSIONS: mm [INCHES]	TOLERANCES UNLESS OTHERWISE SPECIFIED:	CHK C PRESNELL 28SEP95	NAME N BIRCH		
FOR APPLICATION TOOLING INFORMATION	TOOLING ASSISTANCE CENTER 1-800-722-1111	CIRCULAR MIL AREA: 1.04mm <sup>2</sup> -2.62mm <sup>2</sup> [2050-5180]		0 PLC ± - 1 PLC ± - 2 PLC ± 0.20[.008] 3 PLC ± - 4 PLC ± - ANGLES ± -	APVD N BIRCH 28SEP95	PRODUCT SPEC UL 486A		
FOR ORDER ENTRY	1-800-526-5142		MATERIAL BODY,SLV,COPPER PER ASTM B 152 INSUL,NYLON,COLOR,YELLOW	FINISH BODY & SLV,TIN PLATE PER MIL-T-10727	APPLICATION SPEC	SIZE A3	CAGE CODE 00779	DRAWING NO C-34805
					WEIGHT	RESTRICTED TO		
					CUSTOMER DRAWING	SCALE 4:1	SHEET 1 OF 1	REV G1

1470-19 (3/11)