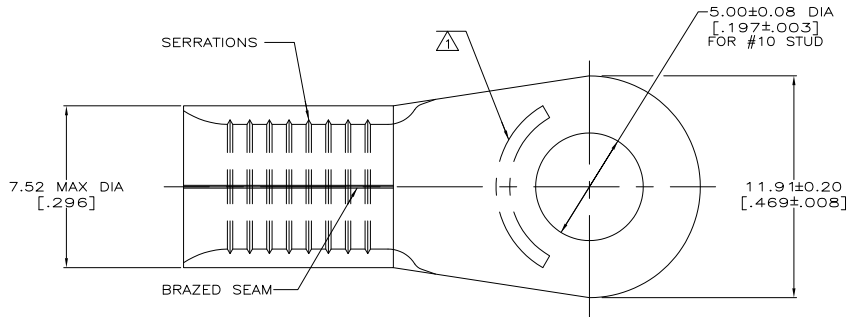


THE DRAWING IS UNPUBLISHED. RELEASED FOR PUBLICATION. ALL RIGHTS RESERVED.

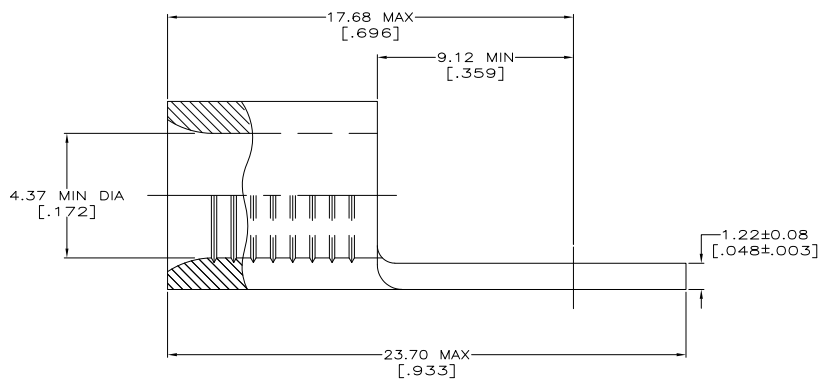
LOC	DATE	REV	DESCRIPTION	DATE	BY	APP
G	14	1	REVISED PER ECO-11-004587	11MAR11	RK	HMR

**METRIC**  
DIMENSIONS LISTED IN mm [ INCHES ]



<b>AMP</b> WIRE RANGE 8 AWG SOLID OR STRANDED	E13288 Listed 8 AWG STRANDED
LR7189 Certified 8 AWG SOLID OR STRANDED	MILITARY P/N AND CLASS NOT APPLICABLE

STAMP AMP 8\* APPROX AS SHOWN



50	TIN PLATE 0.00254[.000100] MIN THK PER MIL-T-10727	LOOSE PIECE BOX 33460	8-33460-2
----	UNPLATED	LOOSE PIECE	2-33460-4
1000	TIN PLATE 0.00254[.000100] MIN THK PER MIL-T-10727	33460 TAPE MOUNTED ON 30.48[1.200] CENTERS	2-33460-3
1500	TIN PLATE 0.00254[.000100] MIN THK PER MIL-T-10727	33460 TAPE MOUNTED ON 15.24[.600] CENTERS	2-33460-2
----	TIN PLATE 0.00254[.000100] MIN THK PER MIL-T-10727	LOOSE PIECE	33460
QUANTITY	FINISH	PACKAGE TYPE	PART NO

<b>AMP INCORPORATED CUSTOMER SERVICE SYSTEMS</b>		MAX RECOMMENDED OPERATING TEMPERATURE: 170° C MAX
FOR ADDITIONAL PRODUCT INFORMATION OR COPIES OF DRAWINGS AND TECHNICAL DOCUMENTS	PRODUCT INFORMATION CENTER 1-800-522-6752	VOLTAGE RATING: NOT APPLICABLE
FOR APPLICATION TOOLING INFORMATION	TOOLING ASSISTANCE CENTER 1-800-722-1111	WIRE CROSS SECTIONAL AREA RANGE: 6.64-10.5mm <sup>2</sup> [13,100-20,800] CIR MILS SOLID OR STRANDED
FOR ORDER ENTRY	1-800-526-5142	THIS DRAWING IS A CONTROLLED DOCUMENT FOR AMP INCORPORATED. IT IS SUBJECT TO CHANGE AND THE CONTROLLING ENGINEERING ORGANIZATION SHOULD BE CONTACTED FOR THE LATEST REVISION.

THIS DRAWING IS A CONTROLLED DOCUMENT.		BY TA BRINKMAN 3-24-93	TE Connectivity	
DRAWING NO MM [INCHES]		CHK DA PATTERSON 3-24-93	TERMINAL, RING TONGUE, SOLISTRAND™	
DIMENSIONS: MM [INCHES]		APPROVED DE MILLER 3-24-93	SIZE A2	CAGE CODE 00779
MATERIAL COPPER PER ASTM B-152 ANNEALED		FINISH SEE TABLE	WEIGHT -	DRAWING NO 33460
			SCALE 8:1	SHEET 1 of 1

1471-9 (5/11)

33460