

4

3

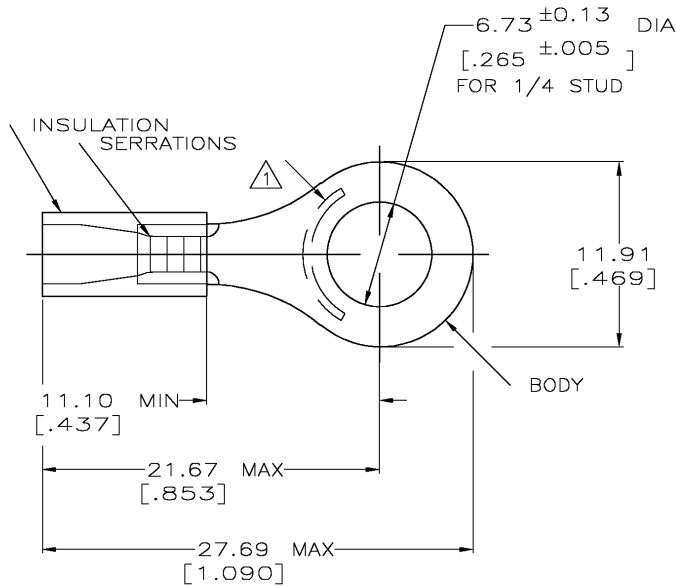
2

1

THIS DRAWING IS UNPUBLISHED. RELEASED FOR PUBLICATION
 © COPYRIGHT - BY TYCO ELECTRONICS CORPORATION. ALL RIGHTS RESERVED.

LOC	DIST	REVISIONS				
P	LTR	DESCRIPTION	DATE	DWN	APVD	
G	14	H	REV PER 0G3A-0652-04	18AUG04	JR	TM

AMP WIRE RANGE	Listed FILE E13288	LR7189 Certified
16-14 AWG SOLID OR STRANDED	16-14 AWG SOLID OR STRANDED	16-14 AWG SOLID OR STRANDED



- △ 1 STAMP AMP 16-14* APPROX AS SHOWN
- 2 WIRE INSULATION DIA: .105-.145
- 3 TONGUE MATERIAL THK: 0.79 ±0.05 [.031 ±0.002]
- △ 4 MATERIAL: BODY - CU PER ASTM B152
SLEEVE - PVC, COLOR - BLUE

100	LOOSE PC,BOX	8-32961-1
5000	ON TAPE, REEL	2-32961-1
-	LOOSE PIECE	32961
QTY	PACKAGE TYPE	PART NO.

AMP INCORPORATED CUSTOMER SERVICE SYSTEMS		MAX RECOMMENDED OPERATING TEMPERATURE: 105°C [221° F]	THIS DRAWING IS A CONTROLLED DOCUMENT.		DWN DK SCHRUM 09/29/92	Tyco Electronics Corporation Harrisburg, Pa 17105-3608
FOR ADDITIONAL PRODUCT INFORMATION OR COPIES OF DRAWINGS AND TECHNICAL DOCUMENTS	PRODUCT INFORMATION CENTER 1-800-522-6752	VOLTAGE RATING: N/A	DIMENSIONS: MM [INCHES]	1 2 3 4 PLC ± - PLC ± - PLC ± 0.20[.008] PLC ± - PLC ± - ANGLES ± -	CHK RE HERSEY 11/10/92	
FOR APPLICATION	TOOLING ASSISTANCE CENTER 1-800-722-1111	CIRCULAR MIL AREA: 1.04-2.62mm² [2,050-5,180] SOLID OR STRANDED	 MATERIAL FINISH TIN PER ASTM B545		PRODUCT SPEC 108-1034	NAME TERMINAL, RING TONGUE, PLASTI-GRIP WIRE SIZE : 16-14 AWG
TOOLING INFORMATION	1-800-722-1111	THIS DRAWING IS A CONTROLLED DOCUMENT FOR AMP INCORPORATED. IT IS SUBJECT TO CHANGE AND THE CONTROLLING ENGINEERING ORGANIZATION SHOULD BE CONTACTED FOR THE LATEST REVISION.		APPLICATION SPEC NOT AVAILABLE	WEIGHT -	RESTRICTED TO -
FOR ORDER ENTRY	1-800-526-5142	AMP 1470-19 REV 31MAR2000		CUSTOMER DRAWING	SCALE 4:1	SHEET 1 OF 1