

4

3

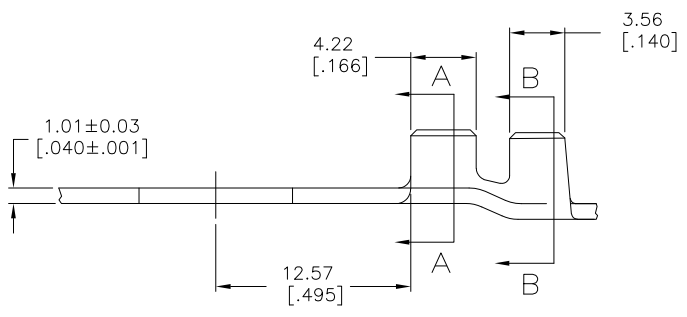
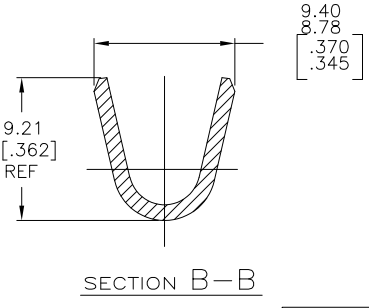
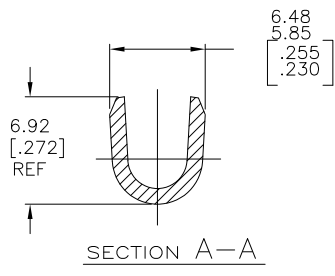
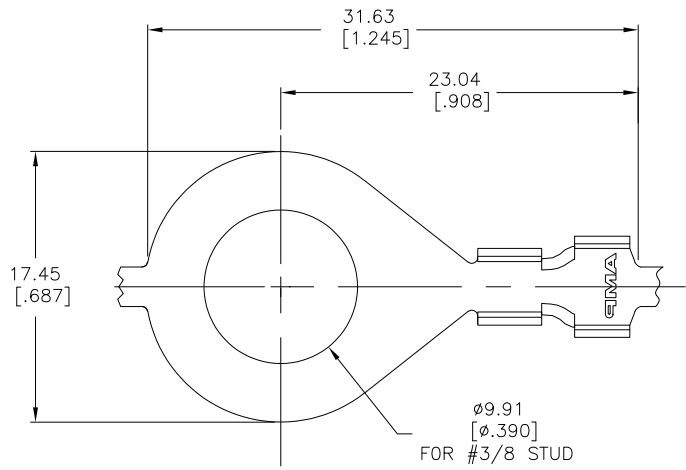
2

1

THIS DRAWING IS UNPUBLISHED. RELEASED FOR PUBLICATION
 © COPYRIGHT - BY TYCO ELECTRONICS CORPORATION. ALL RIGHTS RESERVED.

LOC	DIST	REVISIONS			
P	LTR	DESCRIPTION	DATE	DWN	APVD
AF	50	C1	REVISED PER ECR-07-030301	09MAY08	HMR JR

1 CONTINUOUS STRIP ON REELS



12 - 8 AWG	3.81[.150] - 5.59[.220]	61289-1
WIRE SIZE	INSULATION RANGE	Part Number

THIS DRAWING IS A CONTROLLED DOCUMENT.		DWN RAGHAVENDRA 09MAY08	Tyco Electronics Corporation Harrisburg, Pa 17105-3608	
DIMENSIONS: mm [NCHESES]	TOLERANCES UNLESS OTHERWISE SPECIFIED:	CHK JEFF RUTH 09MAY08	NAME	
0 PLC ± -	1 PLC ± -	APVD JEFF RUTH 09MAY08	RING	
2 PLC ± 0.38±.015	3 PLC ± -	PRODUCT SPEC	SIZE CAGE CODE DRAWING NO	
4 PLC ± -	ANGLES ± -	APPLICATION SPEC	A3 00779 C-61289	
MATERIAL BRASS	FINISH TIN	WEIGHT	RESTRICTED TO	
CUSTOMER DRAWING			SCALE 4:1	SHEET 1 OF 1 REV C1