

4

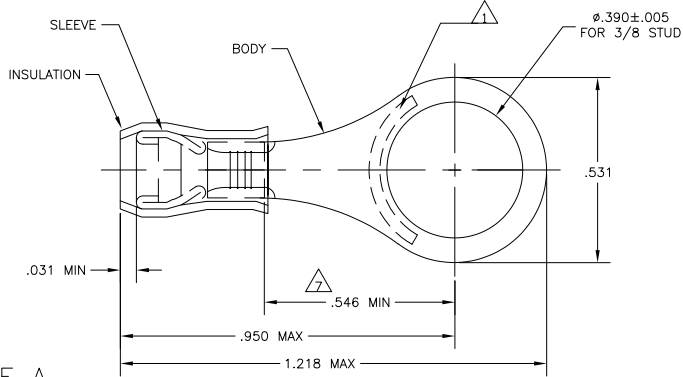
3

2

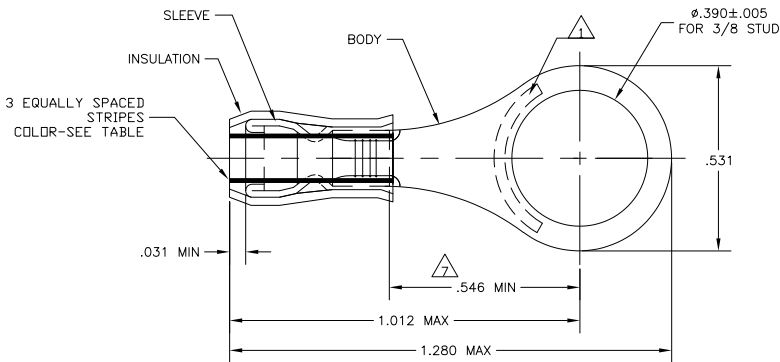
1

THIS DRAWING IS UNPUBLISHED. RELEASED FOR PUBLICATION. ALL RIGHTS RESERVED.

LOC	DIST	REVISIONS					
G	14	P	LTR	DESCRIPTION	DATE	BY	APPD
		M2		REVISED PER ECO-11-004917	11MAR11	RK	HMR



STYLE A



STYLE B
INSULATION RESTRICTING

AMP WIRE RANGE	E13288 Listed	LR7189 Certified
16-14 AWG SOLID OR STRANDED	16-14 AWG SOLID OR STRANDED	16-14 AWG SOLID OR STRANDED

- △ STAMP "AMP - SEE TABLE" APPROX AS SHOWN
- 2 WIRE INSULATION DIA: SEE TABLE
- 3 TONGUE MATERIAL THK: .031±.002
- △ BODY: TIN PLATE .000100 MIN EXT THK PER ASTM B545
- △ SLEEVE: TIN PLATE .000100 MIN EXT THK PER ASTM B545
- △ BODY & SLEEVE- CU PER ASTM B152
INSULATION - NYLON PER ASTM D4066
COLOR - BLUE
- △ APPLIES FROM EDGE OF METAL WIRE BARREL TO CENTER OF STUD HOLE.
- △ MEETS MS25036-110, CLASS 1 & 2
- △ MEETS M7928/1-45, CLASS 1 & 2
- △ MEETS M7928/1-54, CLASS 1 & 2

QTY	PACKAGE TYPE	STAMPING	WIRE INSUL DIA	WIRE SIZE	STRIPES	COLOR	STYLE	BODY FINISH	SLEEVE FINISH	PART NO
100	LOOSE PIECE, BOX	16-14	.105-.150	16-14	--	A	△ 4	△ 5		8-320564-1
500	320564 ON TAPE	16-14	.105-.150	16-14	--	A				2-320564-3
500	LOOSE PIECE	14	.078-.130	14	GREEN	B				△ 2-320564-2
500	LOOSE PIECE	16	.063-.130	16	BLUE	B				△ 2-320564-1
500	LOOSE PIECE	16-14	.105-.150	16-14	--	A				△ 320564

CUSTOMER SERVICE SYSTEMS	
FOR ADDITIONAL PRODUCT INFORMATION OR COPIES OF DRAWINGS AND TECHNICAL DOCUMENTS	PRODUCT INFORMATION CENTER 1-800-522-6752
FOR APPLICATION	TOOLING ASSISTANCE CENTER
TOOLING INFORMATION	1-800-722-1111
FOR ORDER ENTRY	1-800-526-5142

MAX RECOMMENDED OPERATING TEMPERATURE: 105°C MAX	VOLTAGE RATING: 300 VOLT MAX	CIRCULAR MIL AREA: 1.04-2.62mm ² (2,050-5,180) STRANDED OR SOLID
---	---------------------------------	---

THIS DRAWING IS A CONTROLLED DOCUMENT.	DATE: 13MAY10	BY: J.R. RUTH	CHK: T. MICHELJUTTI	APPD: T. MICHELJUTTI	NAME: T. MICHELJUTTI			
DIMENSIONS: INCHES	OTHER FINISHES SPECIFIED:	0 PLC	1 PLC	2 PLC	3 PLC	4 PLC	ANGLES	FINISH
MATERIAL: △ 6								
TE Connectivity	TE Connectivity	TERMINAL, RING TONGUE, PIDG	WIRE SIZE: 16-14 AWG	SIZE: A2	QAGE CODE: 00779	C=320564	RESTRICTED TO:	
CUSTOMER DRAWING	SCALE: 5:1	SHEET: 1 of 1	REV: M2					

1471-9 (3/11)

320564

A