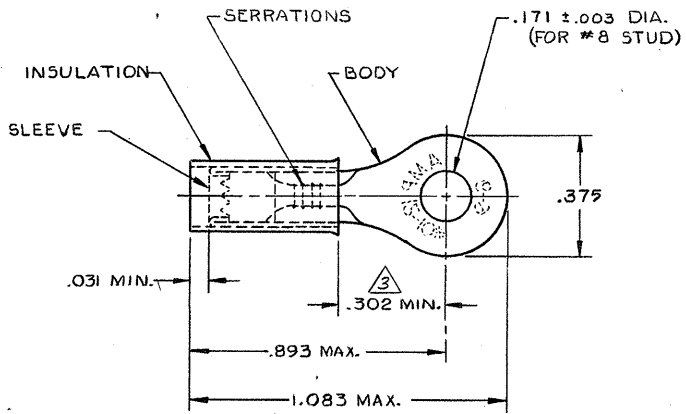


DRAWING MADE IN THIRD ANGLE PROJECTION

THIS DRAWING IS UNPUBLISHED. RELEASED FOR PUBLICATION 19  
 © COPYRIGHT 19 BY AMP INCORPORATED, HARRISBURG, PA. ALL INTERNATIONAL RIGHTS RESERVED. AMP PRODUCTS MAY BE COVERED BY U.S. AND FOREIGN PATENTS AND/OR PATENTS PENDING.



WIRE INSULATION DIA. = .150 - .250  
 TONGUE MATERIAL THK. = .040 ± .002  
 TIN PLATE (MIL-T-10727)

OBSOLETE

P F		ZONE	LTR	DESCRIPTION	DATE	APPROVED
✓	✓		C	REDRAWN-REVISED PER G-147G. G-1175 & P89-0067.	12/16/85	Rjm
✓	✓		D	REV PER G-4732	JT 7/26/88	mf
✓	✓		E	ADDED NOTE 1 PER G-4773	7/13/88	msa V64
✓	✓		F	OBSOLETE 1--3 PER G-3699	11/14/88	AG
			G	REV/0720-0036-93	TQ 3-4-93	ML
			H	REV/0420-0100-97	ME 5-2-97	TM
			J	REV PER 063A-0148-04	3/26/94	KR/TM

- 1 ALTERNATE PVC INSULATION MATERIAL FOR FOREIGN SUBSIDIARIES ONLY.
- 2 THIS IS NOT A U.S. MILITARY QUALIFIED PART
- 3 DIMENSION APPLIES FROM EDGE OF METAL WIRE BBL TO CENTER OF STUD HOLE.

△	2500	ONTAPE, REEL	3-35108-2
△	500	LOOSE PIECE	3-35108-1
△	100	LOOSE PC. BOX	8-35108-1
△	500	ON TAPE, LG BOX	<del>2-35108-3</del>
MS25036-156	CLASS 2	2500 ON TAPE, REEL	2-35108-1
MS25036-156	CLASS 1 & 2	500 LOOSE PIECE	35108
MILITARY PART NO. & CLASS	QTY.	DESCRIPTION	PART NO
UNLESS OTHERWISE SPECIFIED DIMENSIONS ARE IN INCHES. TOLERANCES ON: DECIMALS ±.008 ANGLES ±5°		CONTRACT NO DR UTA/RFB 9-24-85	
MATERIAL INSULATION: NYLON-YELLOW BODY & SLEEVE; COPPER(QQ-C-976)		AMP INCORPORATED Harrisburg, Pa.	
FINISH: BODY: SEE NOTE		NAME: WIRE TERMINAL P.I.D.G. RING TONGUE WIRE SIZE: 12-10	
OTHER APPD		SIZE: B	FSCM NO: 00779
		DRAWING NO: 35108	
		SCALE: NTS	SHEET 1 OF 1

CUSTOMER DRAWING