

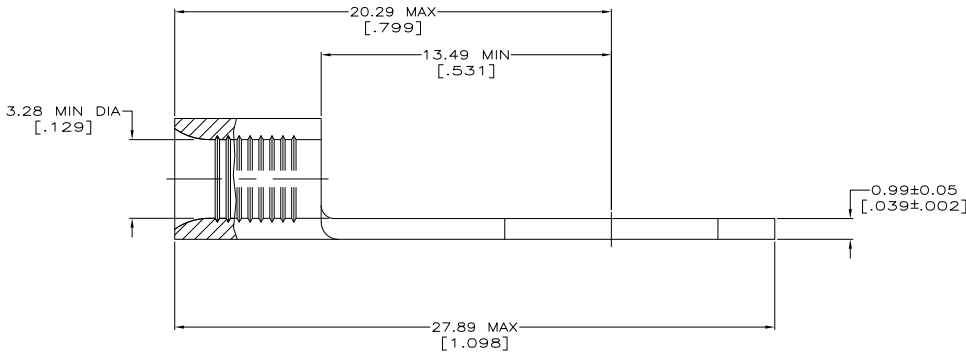
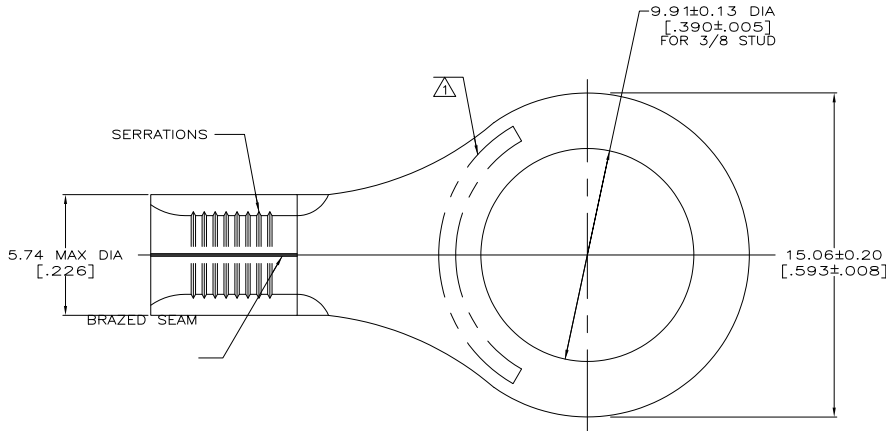
THE DRAWING IS UNPUBLISHED. RELEASED FOR PUBLICATION. ALL RIGHTS RESERVED.

LOC	DATE	REVISIONS	DATE	BY	APP
G	14	H1	REVISED PER ECO-11-005027	11MAR11	RK HMR

**METRIC**  
DIMENSIONS LISTED IN mm [ INCHES ]

<b>AMP</b> WIRE RANGE 12-10 AWG SOLID OR STRANDED	<b>E13288</b> Listed 12-10 AWG STRANDED
<b>LR7189</b> Certified 12-10 AWG SOLID OR STRANDED	<b>MILITARY P/N</b> AND CLASS MS20659-128 CLASS 1 & 2 P/N 33220 ONLY

△ STAMP AMP 12-10\* APPROX AS SHOWN



<b>AMP INCORPORATED CUSTOMER SERVICE SYSTEMS</b>		MAX RECOMMENDED OPERATING TEMPERATURE: 170° C MAX
FOR ADDITIONAL PRODUCT INFORMATION OR COPIES OF DRAWINGS AND TECHNICAL DOCUMENTS	PRODUCT INFORMATION CENTER 1-800-522-6752	VOLTAGE RATING: NOT APPLICABLE
FOR APPLICATION TOOLING INFORMATION	TOOLING ASSISTANCE CENTER 1-800-722-1111	WIRE CROSS SECTIONAL AREA RANGE: 2.62-6.64mm <sup>2</sup> [5,180-13,100] CIR MILS SOLID OR STRANDED
FOR ORDER ENTRY	1-800-526-5142	<small>THIS DRAWING IS A CONTROLLED DOCUMENT FOR AMP INCORPORATED. IT IS SUBJECT TO CHANGE AND THE CONTROLLING ENGINEERING ORGANIZATION SHOULD BE CONTACTED FOR THE LATEST REVISION.</small>

50	LOOSE PIECE, SPCL BOX	8-33220-5
50	LOOSE PIECE, BOX	8-33220-2
1000	TAPE MOUNTED	1-33220-2
-	-	33220
QTY	PACKAGE TYPE	PART NO

THIS DRAWING IS A CONTROLLED DOCUMENT.		BY TA BRINKMAN 3-17-93	<b>TE</b> TE Connectivity	
DIMENSIONS: mm[INCHES]		CHK DA PATTERSON 3-17-93	PART NO A200779	
TOLERANCES UNLESS OTHERWISE SPECIFIED:		APP DE MILLER 3-17-93	SIZE A2	
Ø P/LC	± .002	PRODUCT SPEC	DRAWING NO C=33220	
Ø P/LC	± .002	APPLICATION SPEC	RESTRICTED TO	
Ø P/LC	± .002	WEIGHT	SCALE 3:1	
Ø P/LC	± .002	CUSTOMER DRAWING	SHEET 1 of 1	
MATERIAL COPPER PER ASTM B-152 ANNEALED	FINISH IN PLATE 0.0025[.000100] MIN THK PER MIL-C-10727		REV H1	

141-9 (3/11)

33220