

4

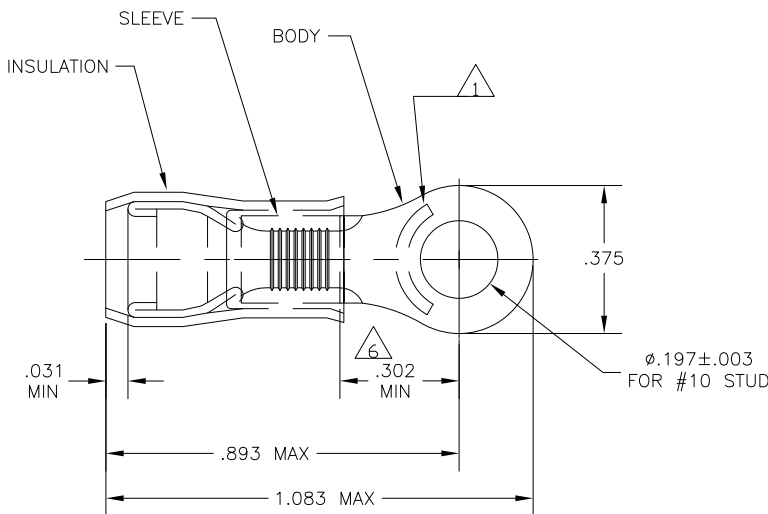
3

2

1

THIS DRAWING IS UNPUBLISHED. RELEASED FOR PUBLICATION
 © COPYRIGHT - By - ALL RIGHTS RESERVED.

LOC	DIST	REVISIONS			
P	LTR	DESCRIPTION	DATE	DWN	APVD
G	14	S2	REVISED PER ECO-11-004587	11MAR11	RK HMR



- 1 STAMP "AMP 12-10*" APPROX AS SHOWN
- 2 WIRE INSULATION DIA: .150-.250
- 3 TONGUE MATERIAL THK: .039±.002
- 4 BODY & SLEEVE: TIN PLATE .000100 MIN EXT THK PER ASTM B545
- 5 BODY & SLEEVE- CU PER ASTM B152 INSULATION - NYLON PER ASTM D4066 COLOR - YELLOW
- 6 APPLIES FROM EDGE OF METAL WIRE BARREL TO CENTER OF STUD HOLE.
- 7 MEETS MS25036-112, CLASS 1 & 2
- 8 MEETS MS25036-112, CLASS 2

SUPERSEDED BY 8-35109-5	25	LOOSE PIECE, BOX	9-35109-4
SUPERSEDED BY 8-35109-5	5	LOOSE PIECE, BOX	8-35109-4
	25	LOOSE PIECE, BAG	8-35109-5
	100	LOOSE PIECE, BOX	8-35109-1
	2500	ON TAPE & REEL	2-35109-1
	---	LOOSE PIECE	35109
QTY		PACKAGE TYPE	PART NO

CUSTOMER SERVICE SYSTEMS		MAX RECOMMENDED OPERATING TEMPERATURE:	THIS DRAWING IS A CONTROLLED DOCUMENT.		DWN	16DEC09	TE Connectivity	
FOR ADDITIONAL PRODUCT INFORMATION OR COPIES OF DRAWINGS AND TECHNICAL DOCUMENTS		105°C MAX	DIMENSIONS:	TOLERANCES UNLESS OTHERWISE SPECIFIED:	JR RUTH	16DEC09	TERMINAL, RING TONGUE, PIDG	
PRODUCT INFORMATION CENTER		VOLTAGE RATING:	INCHES		T MICHELUTTI	16DEC09	WIRE SIZE: 12-10 AWG	
1-800-522-6752		300 VOLT MAX			T MICHELUTTI	16DEC09	SIZE	RESTRICTED TO
FOR APPLICATION TOOLING ASSISTANCE CENTER		CIRCULAR MIL AREA:			APVD		CAGE CODE	DRAWING NO
TOOLING INFORMATION		2.62-6.64mm ² [5,180-13,100] STRANDED OR SOLID			PRODUCT SPEC		A3	00779
FOR ORDER ENTRY		1-800-526-5142	MATERIAL	FINISH	APPLICATION SPEC		C	35109
					WEIGHT			
					CUSTOMER DRAWING		SCALE	SHEET
							4:1	1 OF 1
								REV
								S2

1470-19 (3/11)