

4

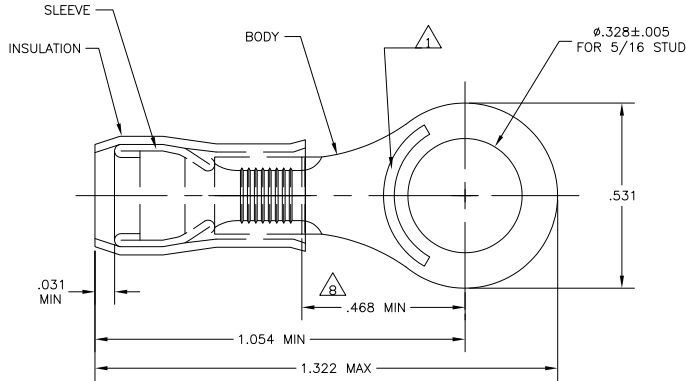
3

2

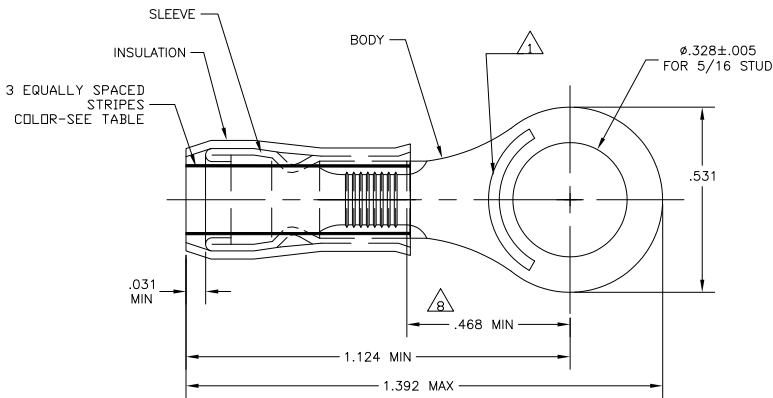
1

THIS DRAWING IS UNPUBLISHED. RELEASED FOR PUBLICATION. ALL RIGHTS RESERVED.

LOC	DIST	REVISIONS				
G	14	P	LTR	DATE	MIN	APD
		T3	REVISED PER ECO-11-004820	11MAR11	RK	HMR



STYLE A



STYLE B  
INSULATION RESTRICTING

- △ STAMP "AMP - SEE TABLE" APPROX AS SHOWN
- 2 WIRE INSULATION DIA: SEE TABLE
- 3 TONGUE MATERIAL THK: .040±.002
- △ BODY: TIN PLATE .000100 MIN EXT THK PER ASTM B545
- △ SLEEVE: TIN PLATE .000100 MIN EXT THK PER ASTM B545
- △ SLEEVE: NICKEL PLATE PER QQ-N-290
- △ BODY & SLEEVE- CU PER ASTM B152  
INSULATION - NYLON PER ASTM D4066  
COLOR - YELLOW
- △ APPLIES FROM EDGE OF METAL WIRE BARREL TO CENTER OF STUD HOLE.
- △ MEETS MS25036-113, CLASS 1 & 2
- △ MEETS MS25036-113, CLASS 2
- △ MEETS M7928/1-60, CLASS 1 & 2
- △ MEETS M7928/1-67, CLASS 1 & 2

QTY	PACKAGE TYPE	STAMPING	WIRE INSUL DIA	WIRE SIZE	STRIPE COLOR	STYLE	BODY FINISH	SLEEVE FINISH	PART NO
50	LOOSE PIECE, BOX	12-10	.150-.230	12-10	--	A			8-320576-2
500	LOOSE-PIECE LG-BOX	12-10	.150-.230	12-10	--	A			2-320576-6
2500	ON TAPE & REEL	10	.119-.200	10	BROWN	B			2-320576-5
2500	ON TAPE & REEL	12	.095-.200	12	YELLOW	B			2-320576-4
---	LOOSE PIECE	10	.119-.200	10	BROWN	B	△		2-320576-3
---	LOOSE PIECE	12	.095-.200	12	YELLOW	B	△		2-320576-2
2500	ON TAPE & REEL	12-10	.150-.230	12-10	--	A			2-320576-1
---	LOOSE PIECE	12-10	.150-.230	12-10	--	A			320576

CUSTOMER SERVICE SYSTEMS	
FOR ADDITIONAL PRODUCT INFORMATION OR COPIES OF DRAWINGS AND TECHNICAL DOCUMENTS	PRODUCT INFORMATION CENTER 1-800-522-6752
FOR APPLICATION	TOOLING ASSISTANCE CENTER 1-800-722-1111
FOR ORDER ENTRY	1-800-526-5142

MAX RECOMMENDED OPERATING TEMPERATURE: 105°C MAX	VOLTAGE RATING: 300 VOLT MAX	CIRCULAR MIL AREA: 2.62-6.64mm <sup>2</sup> (5,180-13,100) STRANDED OR SOLID
THIS DRAWING IS A CONTROLLED DOCUMENT.		
DIMENSIONS: INCHES		
TOLERANCES UNLESS OTHERWISE SPECIFIED:		
0 PL	± .005	
1 PL	± .008	
2 PL	± .010	
3 PL	± .015	
4 PL	± .020	
ANGLES	± .005	
MATERIAL	FINISH	

DR: J.R. RUTH 2302009	TE Connectivity
CHK: T. MICHELLETTI 2302009	
APD: T. MICHELLETTI 2302009	
PRODUCT SPEC:	TERMINAL, RING TONGUE, PIDG
APPLICATION SPEC:	WIRE SIZE: 12-10 AWG
DWG NO: A200779	SIZE: 5:1
REVISION: C=320576	SCALE: 5:1
CUSTOMER DRAWING	SHEET 1 of 1