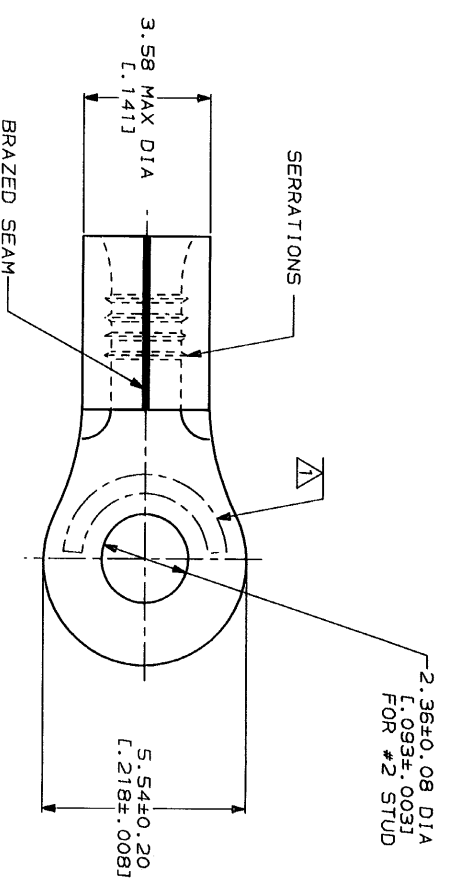


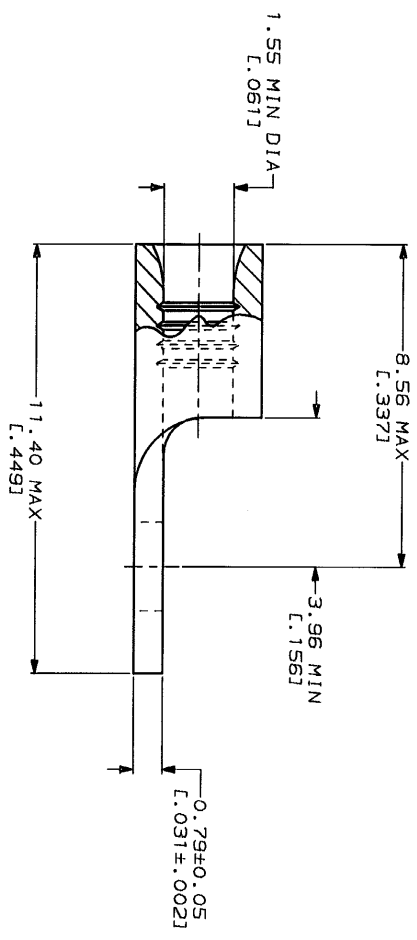


LOC	QTY	REV	DESCRIPTION	DATE	APP'D
G	14	E	REV & REDRAWN PER 0720-0040-93	3-9-93	18 DWP



△ STAMP AMP 22-18* APPROX AS SHOWN
 22-16 TERMINALS ARE STAMPED 22-18 IN
 ACCORDANCE WITH MILITARY SPECIFICATION
 MIL-T-7928, COMMERCIAL WIRE RANGE IS 22-16

AMP WIRE RANGE	UL E13288 Listed
22-16 AWG SOLID OR STRANDED	22-16 AWG SOLID OR STRANDED
22-16 AWG SOLID OR STRANDED	MILITARY P/N AND CLASS
22-16 AWG SOLID OR STRANDED	M7928/7-1 CLASS 2 PN'S 34103 & 2-34103-1



**AMP INCORPORATED
 CUSTOMER SERVICE SYSTEMS**

FOR ADDITIONAL
 PRODUCT INFORMATION OR
 COPIES OF DRAWINGS
 AND TECHNICAL DOCUMENTS
 FOR APPLICATION
 TOOLING INFORMATION
 FOR ORDER ENTRY

MAX RECOMMENDED OPERATING
 TEMPERATURE: 170°C MAX
 VOLTAGE RATING:
 NOT APPLICABLE
 WIRE CROSS SECTIONAL AREA RANGE:
 0.25-1.65mm² [509-3,260] CIR MILS
 SOLID OR STRANDED

PRODUCT INFORMATION CENTER
 1-800-522-6752
 TOOLING ASSISTANCE CENTER
 1-800-722-1111
 1-800-526-5142

DO NOT SCALE PRINT.
 UNLESS SPECIFIED
 DIMENSIONS IN mm ± .025mm
 DIMENSIONS IN IN ± .001
 3 DEC ± .001
 ANGLES ± .1°
 MATERIAL
 COPPER PER
 ASTM B-152
 ANNEALED
 FINISH
 TIN PLATE
 0.0025±L, 0.0010±I MIN
 THK PER MIL-1-10727

OR TA BRINKMAN	DR 1-27-93
CHK 1-27-93	TA BRINKMAN
DA PATTERSON	DA PATTERSON
APPD 1-27-93	DE MILLER
APPD 1-27-93	DE MILLER
PRODUCT SPEC	PRODUCT SPEC
APPLICATION SPEC	APPLICATION SPEC
WEIGHT	WEIGHT

QUANTITY	5000	ON TAPE	2-34103-1
		LOOSE PIECE	34103
		PACKAGING TYPE	PART NO

NAME	TERMINAL, RING TONGUE, SOLI STRAND™
SIZE	CAGE CODE 00779 DRAWING NO 34103
SCALE	10:1
SHEET	1 OF 1