

4

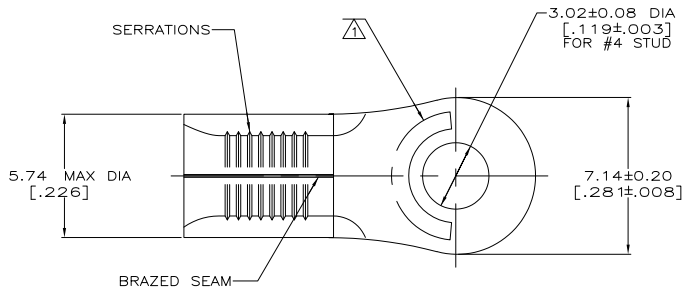
3

2

1

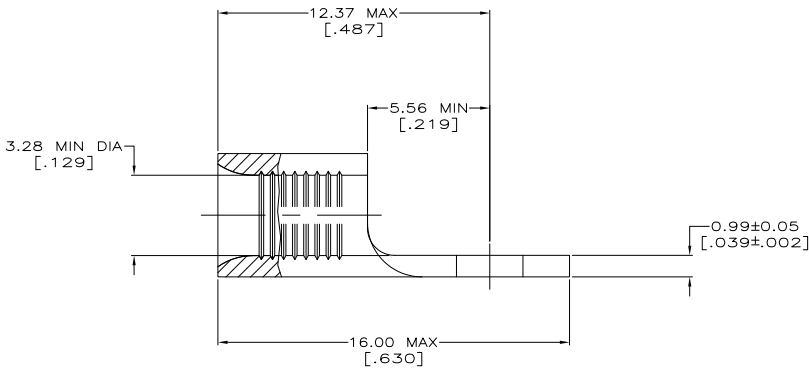
THIS DRAWING IS UNPUBLISHED. RELEASED FOR PUBLICATION  
 BY TYCO ELECTRONICS CORPORATION. ALL RIGHTS RESERVED.

LOC	DIST	REVISIONS			DWG	DATE	BY	APPD
G	14	P	LTR	DESCRIPTION				
		G		REV PER ECR 07-017771		21AUG07	JR	MS



<b>AMP</b> WIRE RANGE	Listed FILE E13288	LR7189 Certified
12-10 AWG SOLID OR STRANDED	12-10 AWG SOLID OR STRANDED	12-10 AWG SOLID OR STRANDED

- 1 STAMP AMP 12-10\* APPROX AS SHOWN
- 2 TIN PLATE 0.00254 [.000100] MIN THK PER MIL-T-10727
- 3 GOLD PLATE PER MIL-G-45204, TYPE II, CLASS I, 0.00127 [.000050] MIN THK.
- 4 COPPER PER ASTM B-152, ANNEALED
- 5 TIN LEAD PLATE (93/7), 0.00254 [.000100] MIN THK.



3	2-322447-1
5	322447-1
2	322447
FINISH	PART NO.

<b>AMP INCORPORATED CUSTOMER SERVICE SYSTEMS</b>		MAX RECOMMENDED OPERATING TEMPERATURE: 170°C
FOR ADDITIONAL PRODUCT INFORMATION OR COPIES OF DRAWINGS AND TECHNICAL DOCUMENTS 1-800-522-6752	PRODUCT INFORMATION CENTER	VOLTAGE RATING: N/A
FOR APPLICATION TOOLING ASSISTANCE CENTER 1-800-722-1111	TOOLING ASSISTANCE CENTER	CIRCULAR MIL AREA: 2.62-6.64mm <sup>2</sup> [5,180-13,100] SOLID OR STRANDED
FOR ORDER ENTRY 1-800-526-5142	TOOLING INFORMATION	THIS DRAWING IS A CONTROLLED DOCUMENT FOR AMP INCORPORATED. IT IS SUBJECT TO CHANGE AND THE CONTROLLING ENGINEERING ORGANIZATION SHOULD BE CONTACTED FOR THE LATEST REVISION.

THIS DRAWING IS A CONTROLLED DOCUMENT.		DR JA BRINKMAN 3-17-93	Tyco Electronics Corporation Harrisburg, Pa 17105-3608	
DIMENSIONS: MM(INCHES)		CHK DA PATTERSON 3-17-93	NAME JUL MECKLEY 3-17-93	
TOLERANCES UNLESS OTHERWISE SPECIFIED:		APPLICATION SPEC: —		
Ø PLC	± .005	REVISION: —		
Ø PLC	± .005	SIZE CASE CODE (DRAWING NO): A2 00779 C=322447		
Ø PLC	± .005	RESTRICTED TO: —		
Ø PLC	± .005	CUSTOMER DRAWING		
Ø PLC	± .005	SCALE: 8:1 SHEET 1 OF 1 REV G		
Ø PLC	± .005	FINISH: SEE TABLE		

AMP 1471-9 REV 31MAR2000

322447

A