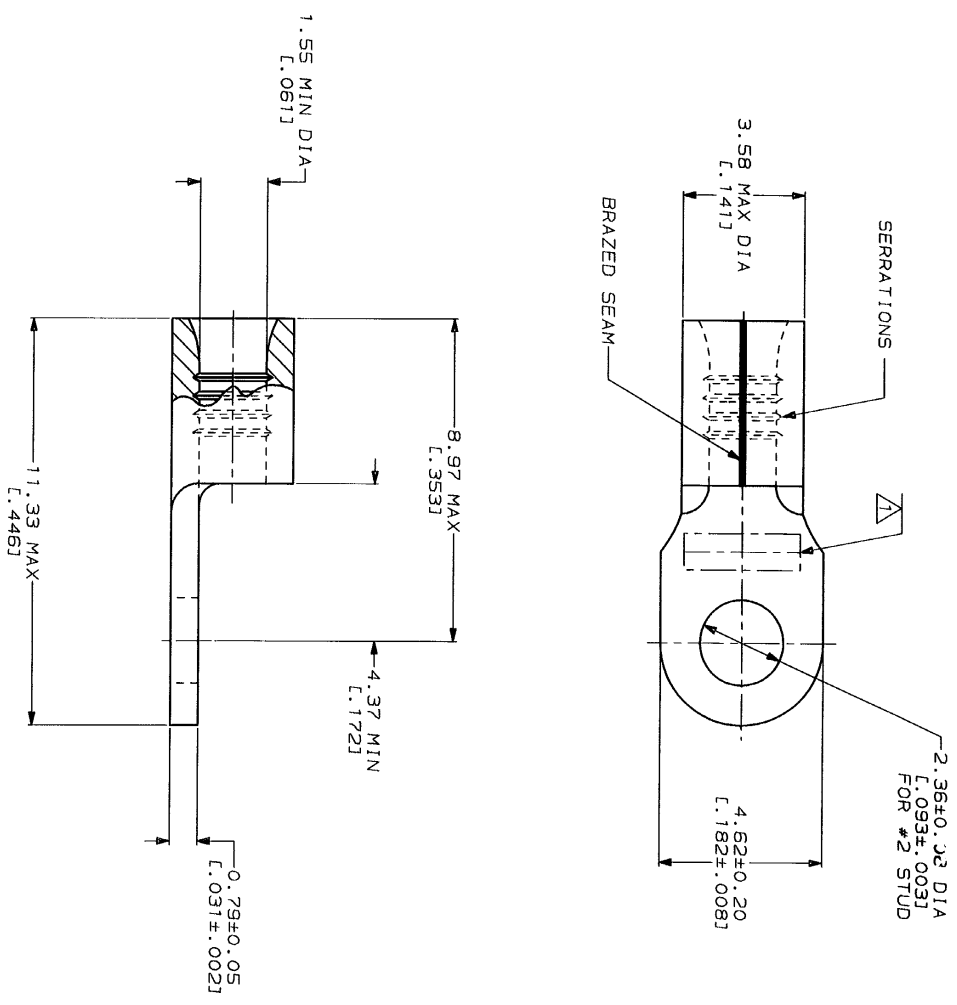


REV	DATE	APP'D	DESCRIPTION
1	2-2-83		REV 8 REDRAWN PER 0720-0040-93



<b>AMP</b> WIRE RANGE	<b>U</b> E13288 Listed
22-16 AWG SOLID OR STRANDED	22-16 AWG SOLID OR STRANDED
<b>LR7189</b> Certified	MILITARY P/N AND CLASS
22-16 AWG SOLID OR STRANDED	NOT APPLICABLE

△ STAMP AMP 22-18\* APPROX AS SHOWN  
22-16 TERMINALS ARE STAMPED 22-18 IN  
ACCORDANCE WITH MILITARY SPECIFICATION  
MIL-T-7928, COMMERCIAL WIRE RANGE IS 22-16



**AMP INCORPORATED  
CUSTOMER SERVICE SYSTEMS**

FOR ADDITIONAL PRODUCT INFORMATION OR COPIES OF DRAWINGS AND TECHNICAL DOCUMENTS	PRODUCT INFORMATION CENTER 1-800-522-6752
FOR APPLICATION TOOLING INFORMATION	TOOLING ASSISTANCE CENTER 1-800-722-1111
FOR ORDER ENTRY	1-800-526-5142

MAX RECOMMENDED OPERATING  
TEMPERATURE: 170°C MAX

VOLTAGE RATING:  
NOT APPLICABLE

WIRE CROSS SECTIONAL AREA RANGE:  
0.26-1.65mm<sup>2</sup> (509-3,260) CIR MILS  
SOLID OR STRANDED

DO NOT SCALE PRINT.  
DIMENSIONS SPECIFIED IN INCHES—  
DIMENSIONS SPECIFIED IN MILLIMETERS—  
TOLERANCES ON:  
2 PLG DEC # -  
3 PLG DEC # -  
ANGLES ± -  
MATERIAL  
COPPER PER  
ASTM B-152  
ANNEALED

FINISH TIN PLATE  
0.002541(.000100) MIN  
THK PER MIL-T-10727

DR 2-2-83 T.A. BRINKMAN	OR 2-2-83 T.A. BRINKMAN
CHK 2-2-83 D.A. PATTERSON	CHK 2-2-83 D.A. PATTERSON
APPD 2-2-83 D.E. MILLER	APPD 2-2-83 D.E. MILLER
APPD 2-2-83 J.L. MECKLEY	APPD 2-2-83 J.L. MECKLEY
PRODUCT SPEC	PRODUCT SPEC
APPLICATION SPEC	APPLICATION SPEC
WEIGHT	WEIGHT

NAME	AMP
AMP Incorporated Horn-Liburg, PA 17105-3608	
TERMINAL, RING TONGUE, SOLI STRAND™	
SIZE	CAGE CODE
SCALE 10:1	00779
	DRAWING NO
	322927
	SHEET
	1 OF 1