

4

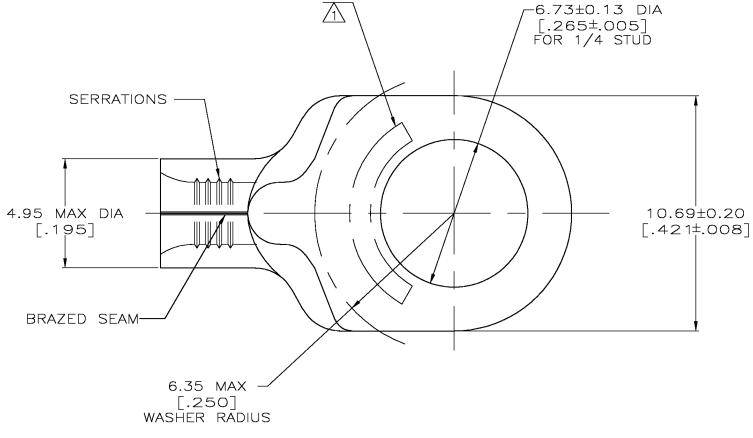
3

2

1

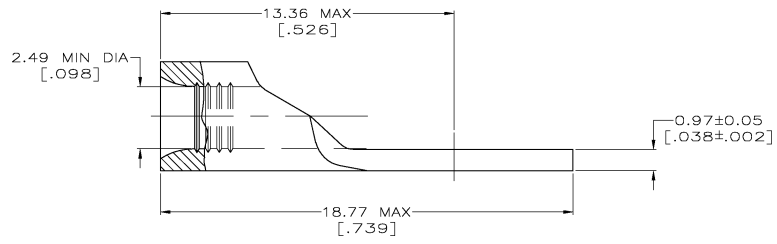
THIS DRAWING IS UNPUBLISHED. RELEASED FOR PUBLICATION  
 © COPYRIGHT BY TYCO ELECTRONICS CORPORATION. ALL RIGHTS RESERVED.

LOC		REVISIONS					
G	14	P	LTR	DESCRIPTION	DATE	BY	APP'D
		E	REV	PER 0G3A-0140-03	03MAR03	JR	MS



AMP WIRE RANGE	Listed FILE E13288	LR7189 Certified
14-12 AWG SOLID OR STRANDED	14-12 AWG STRANDED	14-12 AWG SOLID OR STRANDED

- 1 STAMP AMP 14-12\* APPROX AS SHOWN
- 2 MATERIAL: COPPER PER ASTM B-152, ANNEALED
- 3 FINISH: 0.00254 [.000100] MIN THK TIN PER ASTM B-545



5000	ON TAPE, REEL	34487-2
-	LOOSE PIECE	34487
QTY	PACKAGE TYPE	PART NO

**AMP INCORPORATED  
CUSTOMER SERVICE SYSTEMS**

FOR ADDITIONAL PRODUCT INFORMATION OR COPIES OF DRAWINGS AND TECHNICAL DOCUMENTS	PRODUCT INFORMATION CENTER 1-800-522-6752	MAX RECOMMENDED OPERATING TEMPERATURE: 170° C
FOR APPLICATION	TOOLING ASSISTANCE CENTER 1-800-722-1111	VOLTAGE RATING: N/A
FOR ORDER ENTRY	1-800-526-5142	CIRCULAR MIL AREA: 3.85-4.17mm <sup>2</sup> [3.265-4.230] SOLID OR STRANDED

THIS DRAWING IS A CONTROLLED DOCUMENT FOR AMP INCORPORATED. IT IS SUBJECT TO CHANGE AND THE CONTROLLING ENGINEERING ORGANIZATION SHOULD BE CONTACTED FOR THE LATEST REVISION.

THIS DRAWING IS A CONTROLLED DOCUMENT.

DIMENSIONS: INCHES 	TOLERANCES UNLESS OTHERWISE SPECIFIED: 0 PLG ± .005 1 PLG ± .005 2 PLG ± .005 3 PLG ± .005 4 PLG ± .005 ANGLES ± .5°	DWG: TA BRINKMAN 3-17-93 OK: JA PATTERSON 3-17-93 APP: J. MCKELEY 3-17-93 PRODUCT SPEC: --- APPLICATION SPEC: --- HEIGHT: ---	 Tyco Electronics Corporation Harrisburg, PA 17105 TERMINAL, RING TONGUE, SOLISTRAND SIZE: A2 CASE CODE: 00779 DRAWING NO: 34487 RESTRICTED TO: ---
---------------------------	--	--	---

CUSTOMER DRAWING

SCALE: 8:1 SHEET 1 OF 1 REV E

AMP 1431-9 REV 31MAR2000

34487

A