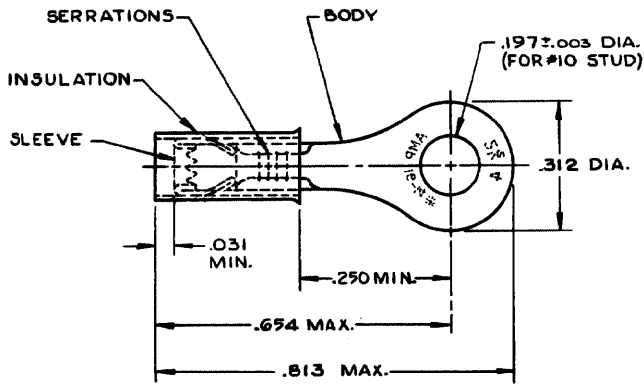


DRAWING MADE IN THIRD ANGLE PROJECTION

THIS DRAWING IS UNPUBLISHED. RELEASED FOR PUBLICATION 19  
 © COPYRIGHT 19 BY AMP INCORPORATED, HARRISBURG, PA. ALL INTERNATIONAL RIGHTS RESERVED. AMP PRODUCTS MAY BE COVERED BY U.S. AND FOREIGN PATENTS AND/OR PATENTS PENDING.

		REVISIONS				
P	F	ZONE	LTR	DESCRIPTION	DATE	APPROVED
✓	✓	C		REDRAWN, REVISED PER G-147B, G-1179, P89-0119 & P89-0120	1/28/66	<i>[Signature]</i>
✓	✓	D		OBSOLETE 2-2223B / G-2393	7/2/67	<i>[Signature]</i>
✓	✓	E		OBS. 32223B G-2664	1/20/67	<i>[Signature]</i>



- 1 WIRE INSULATION DIA. = .117-.170
- 2 TONGUE MATERIAL THK. = .031±.002
- 3 BODY FINISH: TIN PLATE (MIL-T-10727) .000100 MIN THK.

<del>100</del>	<del>ON TAPE, 3M. BOX</del>	<del>2-32223B-3</del>
<del>1000</del>	<del>ON TAPE, 10. BOX</del>	<del>2-32223B-2</del>
<del>5000</del>	<del>ON TAPE, REEL</del>	<del>2-32223B-1</del>
<del>---</del>	<del>LOOSE PIECE</del>	<del>32223B</del>

QUANTITY	DESCRIPTION	PART NO																								
<table border="1"> <tr> <td colspan="2">UNLESS OTHERWISE SPECIFIED DIMENSIONS ARE IN INCHES. TOLERANCES ON: DECIMALS ±.008 ANGLES ±</td> <td colspan="2">CONTRACT NO DR UTA / RFB 10-1-89</td> <td colspan="2">AMP INCORPORATED Harrisburg, Pa.</td> </tr> <tr> <td colspan="2">MATERIAL: INSULATION: PVC - BLUE BODY &amp; SLEEVE COPPER (GG-C-976)</td> <td colspan="2">CHK: <i>[Signature]</i> 4/29/66</td> <td colspan="2">NAME: TERMINAL, P.I.D.G., RING TONGUE WIRE SIZE: 16-14</td> </tr> <tr> <td colspan="2">FINISH BODY: 3</td> <td colspan="2">APPD: <i>[Signature]</i></td> <td colspan="2">SIZE: B FSCM NO: 00779 DRAWING NO: 322238</td> </tr> <tr> <td colspan="2">OTHER APPD:</td> <td colspan="2">DSGN APPD:</td> <td colspan="2">SCALE: NTS SHEET: 1 OF 1</td> </tr> </table>			UNLESS OTHERWISE SPECIFIED DIMENSIONS ARE IN INCHES. TOLERANCES ON: DECIMALS ±.008 ANGLES ±		CONTRACT NO DR UTA / RFB 10-1-89		AMP INCORPORATED Harrisburg, Pa.		MATERIAL: INSULATION: PVC - BLUE BODY & SLEEVE COPPER (GG-C-976)		CHK: <i>[Signature]</i> 4/29/66		NAME: TERMINAL, P.I.D.G., RING TONGUE WIRE SIZE: 16-14		FINISH BODY: 3		APPD: <i>[Signature]</i>		SIZE: B FSCM NO: 00779 DRAWING NO: 322238		OTHER APPD:		DSGN APPD:		SCALE: NTS SHEET: 1 OF 1	
UNLESS OTHERWISE SPECIFIED DIMENSIONS ARE IN INCHES. TOLERANCES ON: DECIMALS ±.008 ANGLES ±		CONTRACT NO DR UTA / RFB 10-1-89		AMP INCORPORATED Harrisburg, Pa.																						
MATERIAL: INSULATION: PVC - BLUE BODY & SLEEVE COPPER (GG-C-976)		CHK: <i>[Signature]</i> 4/29/66		NAME: TERMINAL, P.I.D.G., RING TONGUE WIRE SIZE: 16-14																						
FINISH BODY: 3		APPD: <i>[Signature]</i>		SIZE: B FSCM NO: 00779 DRAWING NO: 322238																						
OTHER APPD:		DSGN APPD:		SCALE: NTS SHEET: 1 OF 1																						

CUSTOMER DRAWING