

4

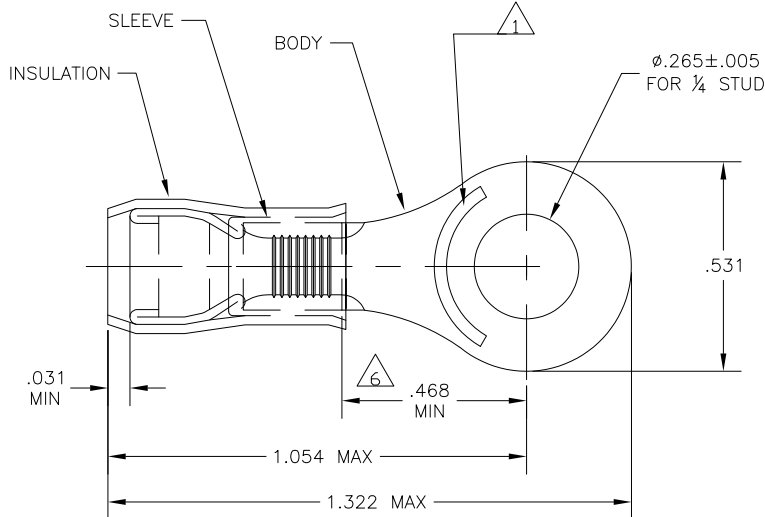
3

2

1

THIS DRAWING IS UNPUBLISHED. RELEASED FOR PUBLICATION
 © COPYRIGHT - By - ALL RIGHTS RESERVED.

LOC	DIST	REVISIONS			
P	LTR	DESCRIPTION	DATE	DWN	APVD
G	14				
	K2	REVISED PER ECO-11-004587	11MAR11	RK	HMR



- 1 STAMP "AMP 12-10*" APPROX AS SHOWN
- 2 WIRE INSULATION DIA: .150-.250
- 3 TONGUE MATERIAL THK: .040±.002
- 4 BODY: TIN PLATE .000100 MIN EXT THK PER ASTM B545
- 5 BODY & SLEEVE- CU PER ASTM B152 INSULATION - NYLON, COLOR - YELLOW
- 6 APPLIES FROM EDGE OF METAL WIRE BARREL TO CENTER OF STUD HOLE.
- 7 MEETS MS25036-157, CLASS 1 & 2
- 8 MEETS MS25036-157, CLASS 2

SUPERSEDED BY 8-35110-1	25	LOOSE PIECE, BLS	9-35110-4
SUPERSEDED BY 8-35110-1	5	LOOSE PIECE, BLS	8-35110-5
SUPERSEDED BY 8-35110-1	25	LOOSE PIECE, BAG	8-35110-4
	100	LOOSE PIECE, BOX	8-35110-1
	2500	ON TAPE & REEL	8-35110-1
	500	LOOSE PIECE	35110
	QTY	PACKAGE TYPE	PART NO

CUSTOMER SERVICE SYSTEMS		MAX RECOMMENDED OPERATING TEMPERATURE:	THIS DRAWING IS A CONTROLLED DOCUMENT.		DWN	18DEC09	TE Connectivity	
FOR ADDITIONAL PRODUCT INFORMATION OR COPIES OF DRAWINGS AND TECHNICAL DOCUMENTS		105°C MAX	DIMENSIONS:	TOLERANCES UNLESS OTHERWISE SPECIFIED:	JR RUTH	18DEC09	TERMINAL, RING TONGUE, PIDG	
PRODUCT INFORMATION CENTER		VOLTAGE RATING:	INCHES		T MICHELUTTI	18DEC09	WIRE SIZE: 12-10 AWG	
1-800-522-6752		300 VOLT MAX			T MICHELUTTI	18DEC09	SIZE	CAGE CODE
FOR APPLICATION		CIRCULAR MIL AREA:			APVD		A3	00779
TOOLING ASSISTANCE CENTER		2.62-6.64mm ² [5,180-13,100] STRANDED OR SOLID			PRODUCT SPEC		DRAWING NO	35110
TOOLING INFORMATION					APPLICATION SPEC		RESTRICTED TO	
1-800-722-1111					WEIGHT			
FOR ORDER ENTRY		THIS DRAWING IS A CONTROLLED DOCUMENT FOR AMP INCORPORATED. IT IS SUBJECT TO CHANGE AND THE CONTROLLING ENGINEERING ORGANIZATION SHOULD BE CONTACTED FOR THE LATEST REVISION.	MATERIAL	FINISH			SCALE	SHEET
1-800-526-5142					CUSTOMER DRAWING		4:1	1 OF 1
								REV
								K2

1470-19 (3/11)