

4

3

2

1

THIS DRAWING IS UNPUBLISHED. RELEASED FOR PUBLICATION. ALL RIGHTS RESERVED.

LOC	DIST	REVISIONS			
P	LR	DESCRIPTION	DATE	BY	APPD
G	14				
		N3	REVISED PER ECO-11-004820	11MAR11	RK HMR

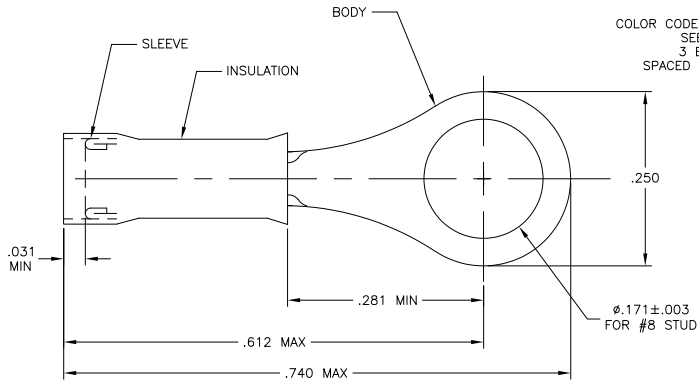


FIGURE 1

FOR .050 TO .082 WIRE INSULATION DIA

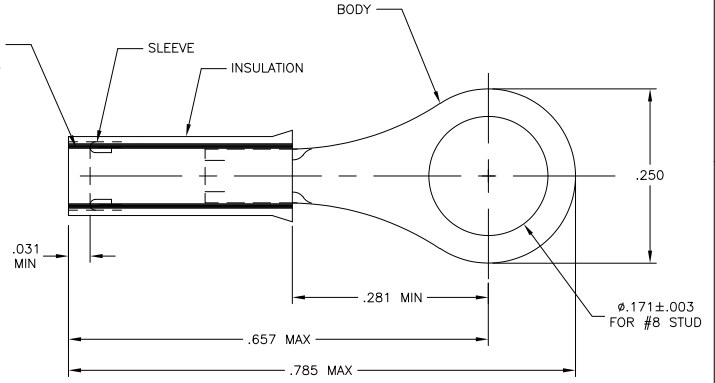


FIGURE 2

INSULATION RESTRICTING

FOR X/Y WIRE INSULATION DIA

1 TONGUE MATERIAL THK IS .018±.002

MEETS MS25036-146, CLASS 2

1	WIRE TERMINAL INSULATION RESTRICTING	BODY: COPPER (ASTM-B152) TIN PL (ASTM-B545) SLEEVE: COPPER (ASTM-B152) NICKEL PL. (Q0-N-290) INSULATION: NYLON COLOR: YELLOW (ASTM-D4066) TYPE 1	2-323916-3
OBSOLETE	1		2-323916-2
100	LOOSE PC, BOX		8-323916-1
4000	323916 ON TAPE	BODY & SLEEVE: COPPER (ASTM-B152) TIN PL (ASTM-B545) INSULATION: NYLON COLOR: YELLOW (ASTM-D4066) TYPE 1	2-323916-1
1	WIRE TERMINAL		323916
QTY	DESCRIPTION	MATERIAL & FINISH	PART NO

PART NO.	STYLE	WIRE SIZE	STRIPE COLOR	"X/Y"	PART NO. ON TAPE
8-323916-1	FIGURE 1	#26-#22	NONE	-	
2-323916-3	FIGURE 2	#24	BLUE	.031/.055	
2-323916-2	FIGURE 2	#26	BLACK	.026/.055	
323916	FIGURE 1	#26-#22	NONE	-	2-323916-1

OBSOLETE

DIMENSIONS:		TOLERANCES UNLESS OTHERWISE SPECIFIED:		APPROVALS:		TE Connectivity	
INCHES		Ø	PLC	JR_RUTH	020CT09	TE Connectivity	
		1	PLC	TOM_MICHELLOTTI	020CT09	TERMINAL, NYLON - PIDG - RING TONGUE	
		2	PLC	MIKE_PERCHERKE	020CT09	WIRE SIZE: 26-22	
		3	PLC			SIZE CASE CODE DRAWING NO	
		4	PLC			A2 00779 C=323916	
		ANGLES				RESTRICTED TO	
						CUSTOMER DRAWING	
						SCALE 10:1 SHEET 1 of 1 REV N3	