

4

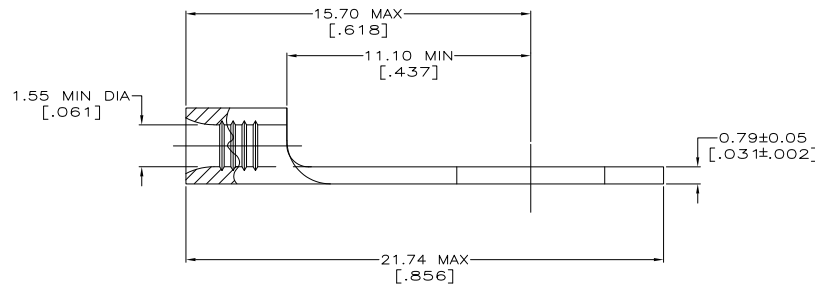
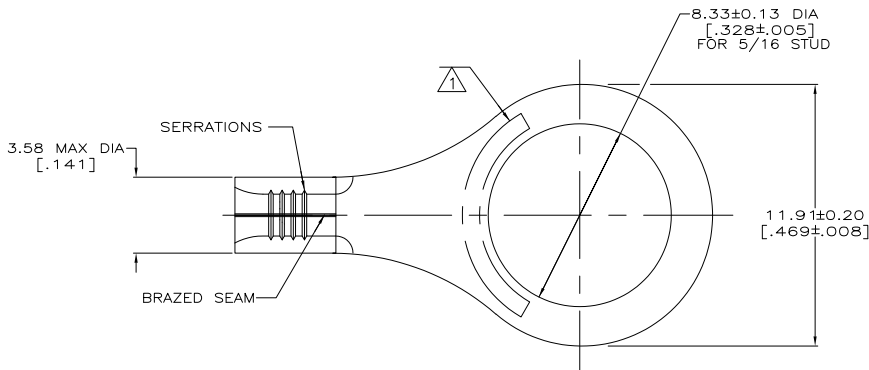
3

2

1

THIS DRAWING IS UNPUBLISHED. RELEASED FOR PUBLICATION
 © COPYRIGHT BY TYCO ELECTRONICS CORPORATION. ALL RIGHTS RESERVED.

LOC	DIST	REVISIONS					
		P	LR	DESCRIPTION	DATE	BY	APPD
G	14						
		C2		REV PER EDR 08-002142	24JAN08	JR	MS



AMP WIRE RANGE	Listed FILE E15288	LR7189 Certified	MILITARY P/N AND CLASS
22-16 AWG SOLID OR STRANDED	22-16 AWG SOLID OR STRANDED	22-16 AWG SOLID OR STRANDED	M7928/7-5 CLASS 2 P/N 31114 AND 2-31114-2 ONLY

- △ STAMP AMP 22-18* APPROX AS SHOWN
22-16 TERMINALS ARE STAMPED 22-18 IN ACCORDANCE WITH MILITARY SPEC MIL-T-7928 COMMERCIAL WIRE RANGE IS 22-16
- △ TIN PLATE 0.00254[.000100] MIN THK PER MIL-T-10727
- △ GOLD PLATE 0.00127[.000050] MIN THK PER MIL-G-45204 OVER NICKEL PLATE 0.00076[.000030] MIN THK PER QQ-N-290
- △ CLEANED, UNPLATED
- △ NICKEL PLATED 0.00762 [.000300] MIN THK PER QQ-N-290.
- △ PRELIMINARY - NOT FOR PRODUCTION

100	170°C MAX	LOOSE PIECE, BOX	△2	8-34114-1
5000	170°C MAX	ON TAPE	△2	2-34114-2
-	343°C MAX	LOOSE PIECE	△5	△6 34114-4
-	170°C MAX	LOOSE PIECE	△4	△6 34114-3
-	170°C MAX	LOOSE PIECE	△3	34114-1
-	170°C MAX	LOOSE PIECE	△2	34114
QTY	MAX TEMP.	PACKAGE TYPE	FINISH	PART NUMBER

AMP INCORPORATED CUSTOMER SERVICE SYSTEMS		MAX RECOMMENDED OPERATING TEMPERATURE:	THIS DRAWING IS A CONTROLLED DOCUMENT.		DATE	BY	NAME	COMPANY					
FOR ADDITIONAL PRODUCT INFORMATION OR COPIES OF DRAWINGS AND TECHNICAL DOCUMENTS	PRODUCT INFORMATION CENTER 1-800-522-6752	SEE TABLE	VOLTAGE RATING:	N/A	3-10-93	JA	BRINKMAN	Tyco Electronics Corporation Harrisburg, PA 17105-3608					
FOR APPLICATION	TOOLING ASSISTANCE CENTER 1-800-722-1111	CIRCULAR MIL AREA:	0.26-1.65mm ² (0.09-3260) OR MIL SOLID OR STRANDED	DIMENSIONS: MM (INCHES)	3-10-93	JA	PATTERSON						
FOR ORDER ENTRY	1-800-526-5142	THIS DRAWING IS A CONTROLLED DOCUMENT FOR AMP INCORPORATED. IF IT SUBJECT TO ORGANIZATION SHOULD BE CONTACTED FOR THE LATEST REVISION.		OTHER DIMENSIONS: OTHER DIMENSIONS: OTHER DIMENSIONS: OTHER DIMENSIONS: OTHER DIMENSIONS: OTHER DIMENSIONS: OTHER DIMENSIONS: OTHER DIMENSIONS:	3-10-93	DE	MILLER	TERMINAL, RING TONGUE, SOLISTRAND					
				MATERIAL: COPPER PER ASTM B152 ANNEALED	FINISH: SEE TABLE	APPLICATION SPEC:	SIZE	CAGE CODE	DRAWING NO	RESTRICTED TO			
						HEIGHT	A2	00779	C=34114				
						CUSTOMER DRAWING		SCALE	8:1	SHEET	1 of 1	REV	C2

AMP 1471-9 REV 31MM2000

34114

A