

4

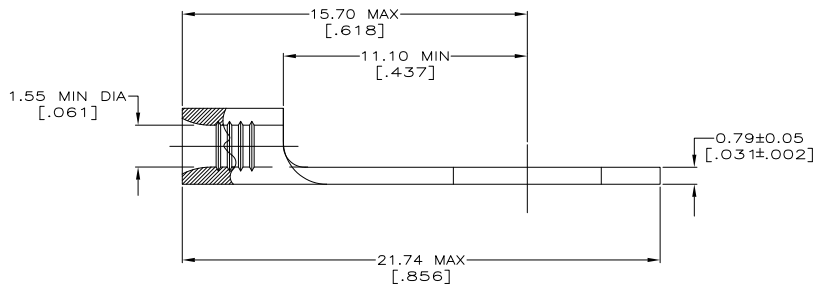
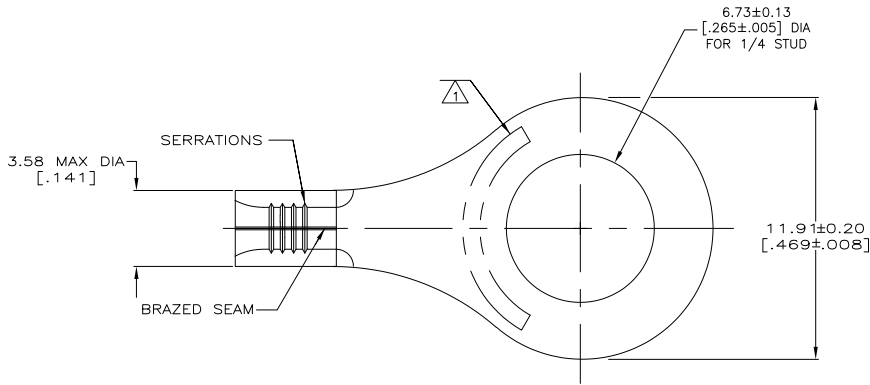
3

2

1

THIS DRAWING IS UNPUBLISHED. RELEASED FOR PUBLICATION. ALL RIGHTS RESERVED.

LOC	DIST	REVISIONS					
G	14	F	LR	DESCRIPTION	DATE	BY	APP'D
		ES		REVISED PER ECO-11-004587	11MAR11	RK	HMR



WIRE RANGE	Listed FILE E13288	Certified
22-16 AWG SOLID OR STRANDED	22-16 AWG SOLID OR STRANDED	22-16 AWG SOLID OR STRANDED

- 1 STAMP AMP 22-18* APPROX AS SHOWN
22-16 TERMINALS ARE STAMPED 22-18 IN ACCORDANCE WITH MILITARY SPEC MIL-T-7928 COMMERCIAL WIRE RANGE IS 22-16
- 2 TIN PLATE 0.00254[.000100] MIN THK ASTM B-545
- 3 CLEANED, UNPLATED
- 4 NICKEL PLATED 0.00762 [.000300] MIN THK PER QQ-N-290.

100	170°C MAX	LOOSE PIECE, BOX	2	8-34113-1
5000	170°C MAX	ON TAPE	2	2-34113-2
-	343°C MAX	LOOSE PIECE	4	34113-4
-	170°C MAX	LOOSE PIECE	3	34113-3
-	170°C MAX	LOOSE PIECE	2	34113
QTY	MAX TEMP.	PACKAGE TYPE	FINISH	PART NUMBER

AMP INCORPORATED CUSTOMER SERVICE SYSTEMS		MAX. RECOMMENDED OPERATING TEMPERATURE: SEE TABLE	THIS DRAWING IS A CONTROLLED DOCUMENT.		DR TA BRINKMAN 3-10-93	TE Connectivity	
FOR ADDITIONAL PRODUCT INFORMATION OR COPIES OF DRAWINGS AND TECHNICAL DOCUMENTS	PRODUCT INFORMATION CENTER 1-800-522-6752	VOLTAGE RATING: N/A	DIMENSIONS: mm [INCHES]	DR DA PATTERSON 3-10-93	DA DE MILLER 3-10-93		TERMINAL, RING TONGUE, SOLISTRAND
FOR APPLICATION	TOOLING ASSISTANCE CENTER 1-800-722-1111	CIRCULAR MIL AREA: 8.26-1.65mm ² [E59-3560] OR MILC SOLID OR STRANDED		TOLERANCES UNLESS OTHERWISE SPECIFIED: 0 PLG ± - 1 PLG ± - 2 PLG ± 0.20 [0.008] 3 PLG ± - 4 PLG ± - ANGLES ± -	APPLICATION SPEC: -	SIZE CASE CODE DRAWING NO A2 00779 C=34113	RESTRICTED TO -
FOR ORDER ENTRY	1-800-526-5142	THIS DRAWING IS A CONTROLLED DOCUMENT FOR AMP INCORPORATED. IT IS SUBJECT TO CHANGE AND THE OPERATING PARAMETERS SHOULD BE CONTACTED FOR THE LATEST REVISION.	MATERIAL: COPPER PER ASTM B152 ANNEALED	FINISH: SEE TABLE	WEIGHT: -	SCALE: 8:1 SHEET 1 of 1 REV E5	CUSTOMER DRAWING

1471-9 (3/11)

34113

A