

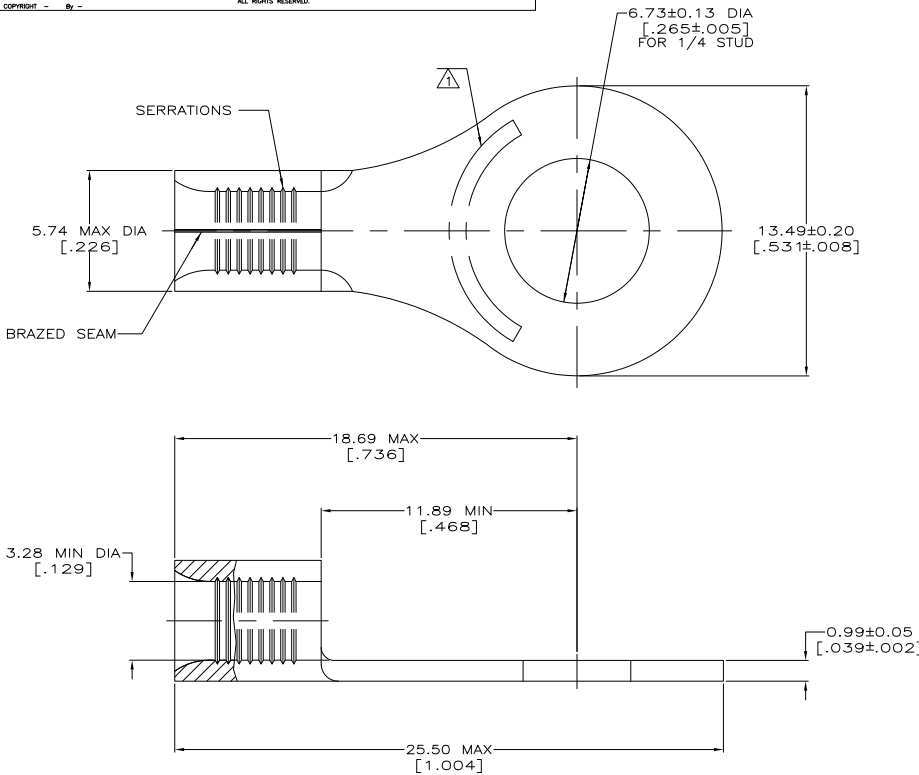
THE DRAWING IS UNPUBLISHED. RELEASED FOR PUBLICATION. ALL RIGHTS RESERVED.

LOC	DATE	REVISIONS	DATE	BY	APP
G	14				
		T LTR			
		K1 REVISED PER ECO-11-004820	11MAR11	RK	HMR

METRIC
DIMENSIONS LISTED IN mm [INCHES]

AMP WIRE RANGE	E13288 Listed
12-10 AWG SOLID OR STRANDED	12-10 AWG STRANDED
LR7189 Certified	MILITARY P/N AND CLASS
12-10 AWG SOLID OR STRANDED	NOT APPLICABLE

STAMP AMP 12-10* APPROX AS SHOWN



AMP INCORPORATED CUSTOMER SERVICE SYSTEMS		MAX RECOMMENDED OPERATING TEMPERATURE: 170° C MAX
FOR ADDITIONAL PRODUCT INFORMATION OR COPIES OF DRAWINGS AND TECHNICAL DOCUMENTS	PRODUCT INFORMATION CENTER 1-800-522-6752	VOLTAGE RATING: NOT APPLICABLE
FOR APPLICATION TOOLING INFORMATION	TOOLING ASSISTANCE CENTER 1-800-722-1111	WIRE CROSS SECTIONAL AREA RANGE: 2.62-6.64mm ² [5,180-13,100] CIR MILS SOLID OR STRANDED
FOR ORDER ENTRY	1-800-526-5142	THIS DRAWING IS A CONTROLLED DOCUMENT FOR AMP INCORPORATED. IT IS SUBJECT TO CHANGE AND THE CONTROLLING ENGINEERING ORGANIZATION SHOULD BE CONTACTED FOR THE LATEST REVISION.

50	LOOSE PIECE, BOX	8-33458-2
2500	ON TAPE	2-33458-3
----	LOOSE PIECE	33458
QUANTITY	PACKAGING TYPE	PART NO

THIS DRAWING IS A CONTROLLED DOCUMENT.		BY TA BRINKMAN 3-17-93	TE Connectivity
DIMENSIONS: TO DIMENSIONS UNLESS OTHERWISE SPECIFIED:		CHK DA PATTERSON 3-17-93	
MM [INCHES]	0 PUC	APR DE MILLER 3-17-93	TYPE
	1 PUC	PRODUCT SPEC	TERMINAL, RING TONGUE, SOLISTRAND™
	2 PUC	APPLICATION SPEC	SIZE
	3 PUC	WEIGHT	A2 00779
	4 PUC	FINISH	SCALE 8:1
	5 PUC	FIN PLATE COPPER PER ASTM B-152 ANNEALED	DRAWING NO 00779
	6 PUC	FIN PLATE 0.00254 (0.00100) MIN THK. PER MIL-C-11072Z	CAGE CODE 33458
	7 PUC	CUSTOMER DRAWING	RESTRICTED TO
	8 PUC		SHEET 1 of 1
	9 PUC		REV K1

1471-9 (5/11)

33458

A