

4

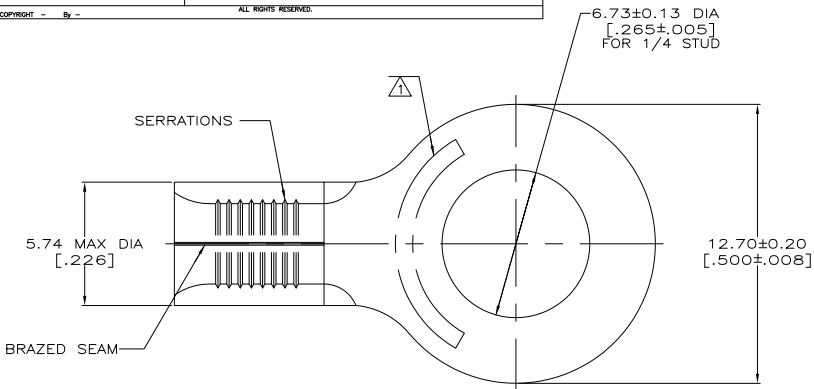
3

2

1

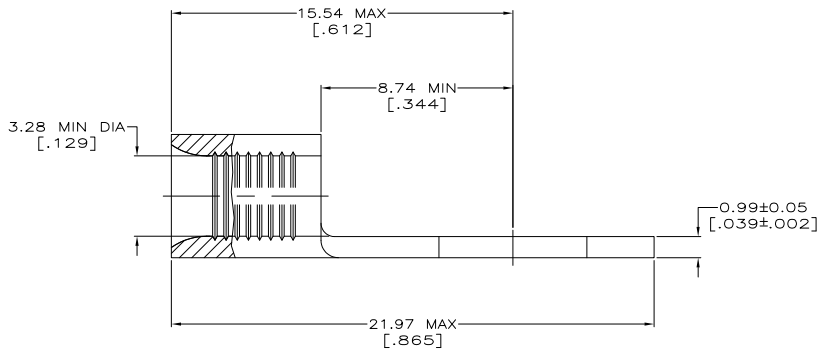
THIS DRAWING IS UNPUBLISHED. RELEASED FOR PUBLICATION. ALL RIGHTS RESERVED.

| LOC | DIST | REVISIONS | | DAP | DATE | BY | APPD |
|-----|------|-----------|---------------------------|-----|---------|----|------|
| G | 14 | P | LR | | | | |
| | | E3 | REVISED PER ECO-11-005027 | | 11MAR11 | RK | HMR |



| | | |
|--------------------------------|-----------------------|--------------------------------|
| AMP WIRE RANGE | Listed FILE E13288 | LR7189 Certified |
| 12-10 AWG SOLID OR STRANDED | 12-10 AWG STRANDED | 12-10 AWG SOLID OR STRANDED |

- ① STAMP AMP 12-10* APPROX AS SHOWN
- ② MATERIAL: COPPER PER ASTM B-152, ANNEALED
- ③ TIN PLATE 0.00254 [.000100] MIN THK PER ASTM B-545.
- ④ GOLD PLATE 0.00127 [.000050] MIN THK PER MIL-G-45204 OVER NICKEL PLATE 0.0076 [.000030] MIN THK PER QQ-N-290.



| | | | |
|--------|------|------------------|-----------|
| ④ | ---- | LOOSE PIECE | 35772-1 |
| ③ | 25 | LOOSE PIECE, BAG | 8-35772-5 |
| ③ | 50 | LOOSE PIECE, BOX | 8-35772-2 |
| ③ | 2500 | ON TAPE | 2-35772-1 |
| ③ | ---- | LOOSE PIECE | 35772 |
| FINISH | QTY | PACKAGE TYPE | PART NO. |

| | | |
|--|--|---|
| AMP INCORPORATED CUSTOMER SERVICE SYSTEMS | | MAX RECOMMENDED OPERATING TEMPERATURE: 170°C |
| FOR ADDITIONAL PRODUCT INFORMATION OR COPIES OF DRAWINGS AND TECHNICAL DOCUMENTS 1-800-522-6752 | PRODUCT INFORMATION CENTER | VOLTAGE RATING: N/A |
| FOR APPLICATION TOOLING ASSISTANCE CENTER 1-800-722-1111 | | CIRCULAR MIL AREA: 242-6.64mm ² [5.180-13.100] SOLID OR STRANDED |
| FOR ORDER ENTRY 1-800-526-5142 | THIS DRAWING IS A CONTROLLED DOCUMENT FOR AMP INCORPORATED. IF SUBSEQUENT TO ORDERIZATION SHOULD BE CONTACTED FOR THE LATEST REVISION. | |

| | | | | |
|--|--|--------------------------|---|----------------------------------|
| THIS DRAWING IS A CONTROLLED DOCUMENT. | | DR: TA BRINKMAN 3-17-93 | TE Connectivity | |
| DIMENSIONS: INCHES | | CR: DA PATTERSON 2-17-93 | TERMINAL, RING TONGUE, SOLISTRAND | |
| OTHER DIMENSIONS: MILLIMETERS | | APP: JIL MCKEY 3-17-93 | SIZE CASE CODE DRAWING NO A2 00779 C=35772 | |
| MATERIAL: - ② | | FINISH: SEE TABLE | RESTRICTED TO: - | SCALE: 8:1 SHEET: 1 of 1 REV: E3 |

1471-9 (3/11)

35772

A