

4

3

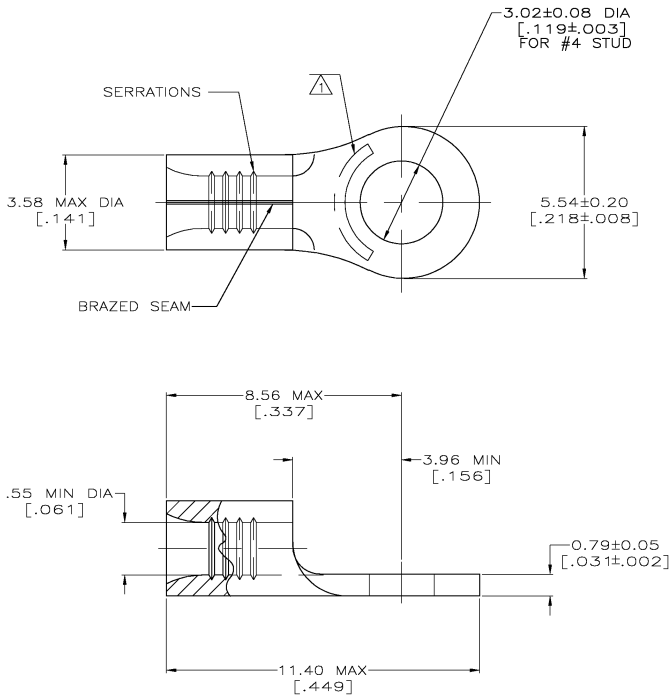
2

1

THIS DRAWING IS UNPUBLISHED. RELEASED FOR PUBLICATION
 © COPYRIGHT BY TYCO ELECTRONICS CORPORATION. ALL RIGHTS RESERVED.

LOC	DIST	REVISIONS			
P	LTR	DESCRIPTION	DATE	BY	APPD
G	14				
M		REV PER 063A-0029-05	18JAN05	JR	MS

ANIMP WIRE RANGE	Listed FILE E13288
22-16 AWG SOLID OR STRANDED	22-16 AWG SOLID OR STRANDED
LR7189 Certified	MILITARY P/N AND CLASS
22-16 AWG SOLID OR STRANDED	M7928/7-2 CLASS 2 P/N 34104 & 2-34104-6 ONLY



- ▲ STAMP AMP 22-18* APPROX AS SHOWN
22-16 TERMINALS ARE STAMPED 22-18 IN ACCORDANCE WITH MILITARY SPECIFICATION MIL-T-7928; COMMERCIAL WIRE RANGE IS 22-16
- ▲ TIN PLATE 0.00254 [.000100] MIN THK PER ASTM-B-545.
- ▲ TIN LEAD PLATE 0.01016-0.02032 [.000400-.000800] THK PER MIL-P-81728
- ▲ GOLD PLATE, .000100 MIN THK PER ASTM B-488 OVER NICKEL PLATE .000050 MIN THK PER SAE-AMS-QQ-N-290.
- ▲ PRELIMINARY - NOT FOR PRODUCTION
- ▲ PREPRODUCTION - FASR REQ
- ▲ CLEANED, UNPLATED
- ▲ .000300 MIN THK NICKEL PER QQ-N-290
- ▲ COPPER PER ASTM B-152, ANNEALED

FINISH	QTY	PACKAGE TYPE	PART NO.
▲ 2	100	LOOSE PIECE, BOX	8-34104-1
▲ 2	5000	ON TAPE	2-34104-6
▲ 7	-	LOOSE PIECE	▲ 6 34104-6
▲ 4	-	LOOSE PIECE	34104-5
▲ 3	-	LOOSE PIECE	34104-4
▲ 3	5000	ON TAPE	▲ 6 34104-3
▲ 2	-	LOOSE PIECE	▲ 6 34104-2
▲ 2	-	LOOSE PIECE	34104

AMP INCORPORATED CUSTOMER SERVICE SYSTEMS		MAX RECOMMENDED OPERATING TEMPERATURE: 170°C
FOR ADDITIONAL PRODUCT INFORMATION OR COPIES OF DRAWINGS AND TECHNICAL DOCUMENTS	PRODUCT INFORMATION CENTER 1-800-522-6752	VOLTAGE RATING: N/A
FOR APPLICATION	TOOLING ASSISTANCE CENTER 1-800-722-1111	CIRCULAR MIL AREA: 0.26-1.65mm ² [509-3280] SOLID OR STRANDED
FOR ORDER ENTRY	1-800-526-5142	THIS DRAWING IS A CONTROLLED DOCUMENT FOR AMP INCORPORATED. IT IS SUBJECT TO CHANGE AND THE CONTROLLING ENGINEERING ORGANIZATION SHOULD BE CONTACTED FOR THE LATEST REVISION.

THIS DRAWING IS A CONTROLLED DOCUMENT.		DR: TA BRINKMAN 3-10-93	Tyco Electronics Corporation Harrisburg, Pa 17105-3608
DIMENSIONS: MM [INCHES]		CR: JA PATTERSON 3-10-93	TERMINAL, RING TONGUE, SOLISTRAND, WIRE SIZE: 22-16 AWG
MATERIAL: - 9		APP: JL MCKEY 3-10-93	SEE CASE CODE DRAWING NO A2 00779 C=34104
FINISH: SEE TABLE		APPLICATION SPEC: -	RESTRICTED TO: -
CUSTOMER DRAWING		HEIGHT: -	SCALE: 10:1 SHEET 1 OF 1 REV M

AMP 1421-9 REV 31MAR2000

34104

A