

4

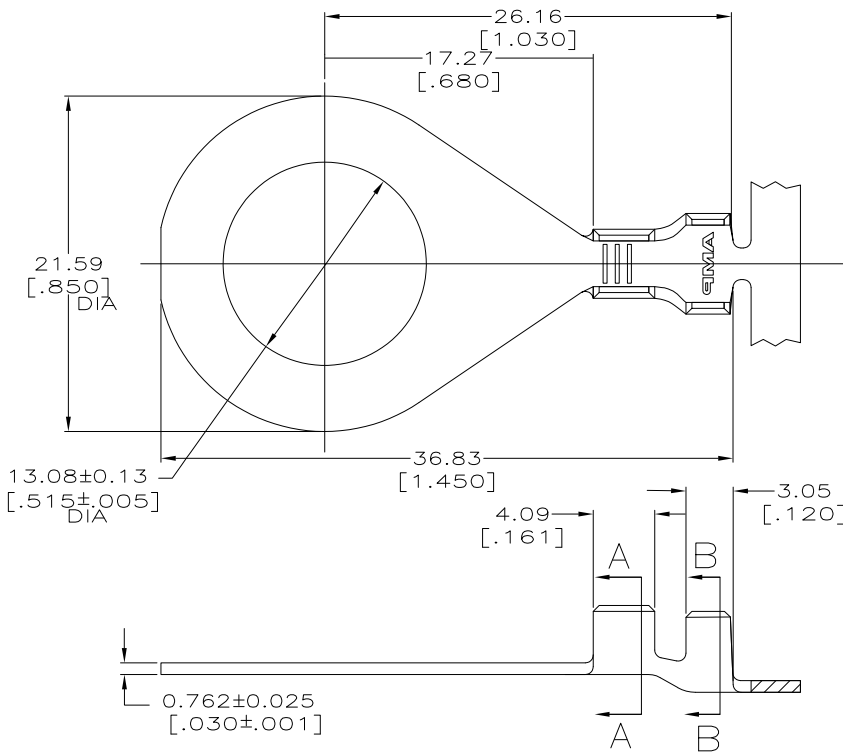
3

2

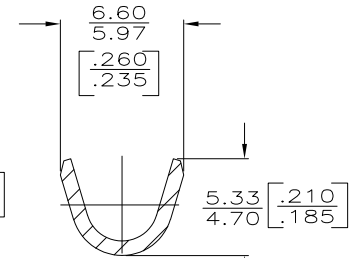
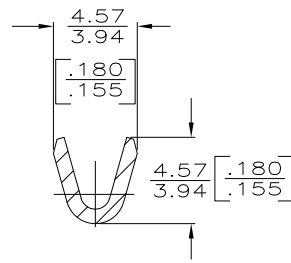
1

THIS DRAWING IS UNPUBLISHED. RELEASED FOR PUBLICATION
 © COPYRIGHT - BY TYCO ELECTRONICS CORPORATION. ALL INTERNATIONAL RIGHTS RESERVED.

LOC	DIST	REVISIONS				
P	LTR	DESCRIPTION	DATE	DWN	APVD	
AF	50	J	REVISED PER ECR-10-006099	08JUL10	HMR	PD



- CONTINUOUS STRIP ON REEL.
- △ INSULATION RANGE: 2.03-2.92 [.080-.115] F CRIMP
 2.92-3.81 [.115-.150] O CRIMP.



△	[18-14] AWG	61863-2
INSULATION RANGE	WIRE RANGE	PART NO

THIS DRAWING IS A CONTROLLED DOCUMENT.		DWN PHILLIP M. FORTNEY 2/15/94	Tyco Electronics Corporation Harrisburg, PA 17105-3608	
DIMENSIONS: mm [INCHES]		CHK JEFF RUTH 2/15/94	NAME RING	
TOLERANCES UNLESS OTHERWISE SPECIFIED:		APVD GARY YETTER 2/15/94	RESTRICTED TO	
0 PLC ± -		PRODUCT SPEC	SIZE CAGE CODE DRAWING NO	
1 PLC ± -		APPLICATION SPEC	A3 00779 C-61863	
2 PLC ± 0.25 [010]		WEIGHT	SCALE 4:1 SHEET 1 OF 1 REV J	
3 PLC ± -		MATERIAL 082 BRASS	CUSTOMER DRAWING	
4 PLC ± -		FINISH TIN		
ANGLES ± -				