

4

3

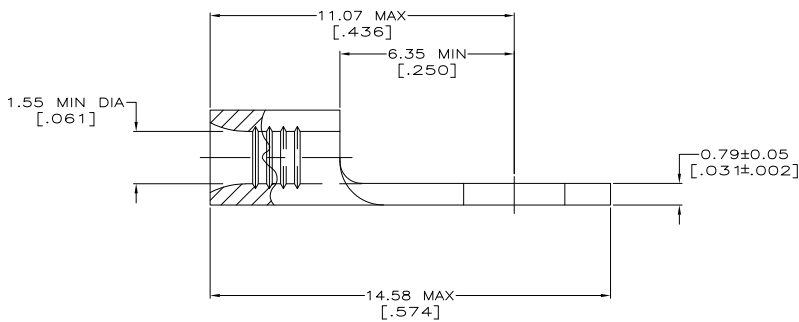
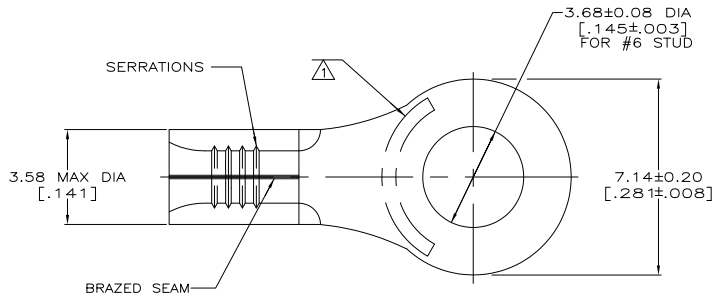
2

1

THIS DRAWING IS UNPUBLISHED. RELEASED FOR PUBLICATION. ALL RIGHTS RESERVED.

LOC	DIST	REVISIONS			
P	LR	DESCRIPTION	DATE	BY	APPD
G	14	E2	REVISED PER ECO-11-004820	11MAR11	RK HMR

AMP WIRE RANGE	Listed FILE E13288
22-16 AWG SOLID OR STRANDED	22-18 AWG SOLID OR STRANDED
LR7189 Certified	MILITARY P/N AND CLASS
22-16 AWG SOLID OR STRANDED	N/A



- 1 STAMP AMP 22-18\* APPROX AS SHOWN 22-16 TERMINALS ARE STAMPED 22-18 IN ACCORDANCE WITH MILITARY SPEC MIL-T-7928 COMMERCIAL WIRE RANGE IS 22-16
- 2 0.00254 [.000100] MIN TIN PER ASTM B-545
- 3 GOLD PLATE 0.00127 [.000050] MIN THK PER MIL-G-45204 OVER NICKEL PLATE 0.00076 [.000030] MIN THK PER QQ-N-290
- 4 CLEANED, UNPLATED
- 5 COPPER PER ASTM B-152, ANNEALED

100	LOOSE PIECE, BOX	2	8-34107-1
5000	ON TAPE	2	2-34107-2
-	LOOSE PIECE	4	34107-2
-	LOOSE PIECE	3	34107-1
-	LOOSE PIECE	2	34107
QTY	PACKAGE TYPE	FINISH	PART NO.

## CUSTOMER SERVICE SYSTEMS

MAX RECOMMENDED OPERATING TEMPERATURE:

170°C

VOLTAGE RATING:

N/A

CIRCULAR MIL AREA:

0.26-1.65mm<sup>2</sup> [509-3260] SOLID OR STRANDED

FOR ADDITIONAL PRODUCT INFORMATION OR COPIES OF DRAWINGS AND TECHNICAL DOCUMENTS

PRODUCT INFORMATION CENTER  
1-800-522-6752

FOR APPLICATION

TOOLING ASSISTANCE CENTER

TOOLING INFORMATION

1-800-722-1111

FOR ORDER ENTRY

1-800-526-5142

THIS DRAWING IS A CONTROLLED DOCUMENT FOR AMP INCORPORATED. IT IS SUBJECT TO CHANGE AND THE CONTROLLING BUSINESS ORGANIZATION SHOULD BE CONTACTED FOR THE LATEST REVISION.

THIS DRAWING IS A CONTROLLED DOCUMENT.

DW: TA BRINKMAN 3-10-93

CK: DA PATTERSON 2-10-93

APC: JIL MECKLEY 3-10-93

NAME: JIL MECKLEY

PRODUCT SPEC: -

APPLICATION SPEC: -

MATERIAL: -

FINISH: -

SEE TABLE

CUSTOMER DRAWING



TE Connectivity

TERMINAL, RING TONGUE, SOLISTRAND

SIZE: A2

CASE CODE: 00779

DRAWING NO: C=34107

RESTRICTED TO: -

SCALE: 10:1

SHEET: 1 of 1

REV: E2

1471-9 (3/11)

34107

A